

APPLICATION

Fan designed for transporting non-aggressive and non-explosive gases without contamination. Typical applications:

- exhaust and supply ventilation in ventilation units or individual ventilation systems,
- drying, cooling and ventilation systems,
- air filtration systems, eg painting walls,
- pneumatic transport.

CONSTRUCTION

- low-pressure radial fan with direct drive,
- the impeller is welded from galvanized steel sheet with forward curved blades,
- the housing is made of welded sheet steel,
- protective mesh at the inlet,
- galvanized net on the outlet (for sizes 2-250),
- fan painted blue RAL 5010 (corrosivity category C3),
- maximum temperature of the transported medium is 80°C,
- ambient temperature range from -20°C to + 40°C,
- LFB are supplied in LG90 configuration.

MOTOR

- asynchronous single-phase 230V 50Hz (power to 1,5kW),
- asynchronous, three-phase 230V/400V 50Hz (power to 3 kW),
- asynchronous, three-phase 400V/690V 50Hz (power from 4 kW),
- degree of protection IP55,
- insulation class F,
- three-phase motors are adapted for frequency converter.

SPECIAL EXECUTIONS

- optional configuration LG/RD,
- color other than standard,
- pointing in higher category of corrosivity,
- housing and support made of galvanized steel sheet,
- impeller, housing and support made of stainless steel 1.4301,
- housing and support made of acid-proof steel 1.4404,
- motor with voltage and frequency of power different than standard,
- motor with other than standard degree of protection,
- motor equipped with sensors or additional cooling,
- sealing between the housing and the motor,
- maximum temperature of the transported medium above 80°C,
- ambient temperature range below -20°C and above +40°C.



WWW

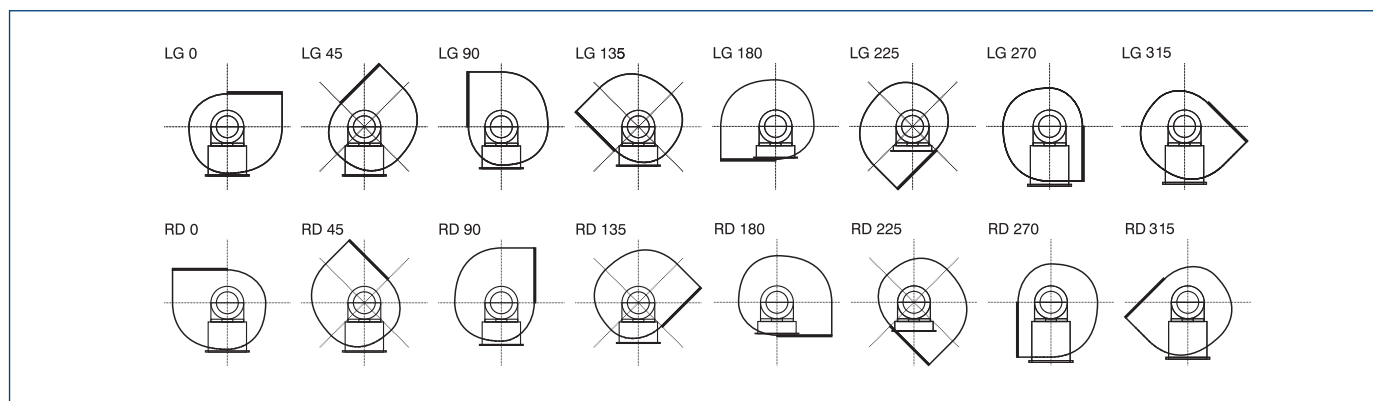


DTR



CE

FIGURES



TECHNICAL CHARACTERISTICS

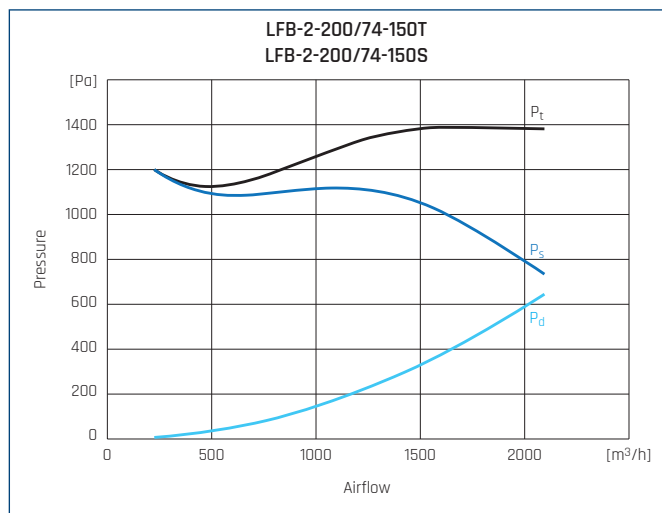
Type	airflow max	pressure max	max absorbed power	speed	maximum absorbed current		voltage	capacitor	sound pressure level*	weight	regulator	ErP	article number
	[m³/h]	[Pa]	[kW]	[r.p.m.]	[A]	[V]	[µF]	[dB(A)]	[kg]				
LFB-2-200/74-150T	2100	1390	1,5	2880	5,25	3	230/400	-	76	27	Inverter 1,5kW	2015	435011010
LFB-2-200/74-150S	2100	1390	1,5	2740	9,1		230	40	76	28	-	2015	45011010-02
LFB-2-224/104-300T	3500	1690	3	2870	11	6,3	230/400	-	78	25	Inverter 4kW	2015	435011020
LFB-2-250/114-550T	4800	2080	5,5	2890	9,8	5,7	400/690	-	85	54	Inverter 5,5kW	2015	435011030
LFB-2-280/102-750T	5560	2900	7,5	2885	14	8,1	400/690	-	89	59	Inverter 7,5kW	2015	435011040
LFB-4-280/102-075T	2800	680	0,75	1450	3,7	2,2	230/400	-	74	24	Inverter 0,75kW	2015	435011050
LFB-4-280/102-075S	2850	640	0,75	1340	5,6		230	25	74	26	-	2015	45011060
LFB-2-315/103-1100T	6700	2990	11	2900	19,1	11,1	400/690	-	90	94	Inverter 11W	2015	435011067
LFB-4-315/143-220T	5100	950	2,2	1450	8,1	4,6	230/400	-	76	51	Inverter 2,2kW	2015	435011070
LFB-4-355/144-400T	6800	1240	4	1450	8,4	4,8	400/690	-	78	55	Inverter 4kW	2015	435011090
LFB-6-355/144-220T	4490	520	4	960	9,3	6,3	400/690	-	68	55	Inverter 5,5kW	2015	435011095
LFB-4-400/183-750T	10350	1520	7,5	1450	14,6	8,5	400/690	-	93	88	Inverter 7,5kW	2015	435011080
LFB-6-400/183-220T	6830	670	2,2	950	9,6	5,5	230/400	-	88	61,5	Inverter 2,2kW	2015	425011076-04

* sound pressure measured at a distance of 1,5m from the fan at q=2/3*qmax.

PERFORMANCE CURVES

- p_t - total pressure
- p_s - static pressure
- p_d - dynamic pressure

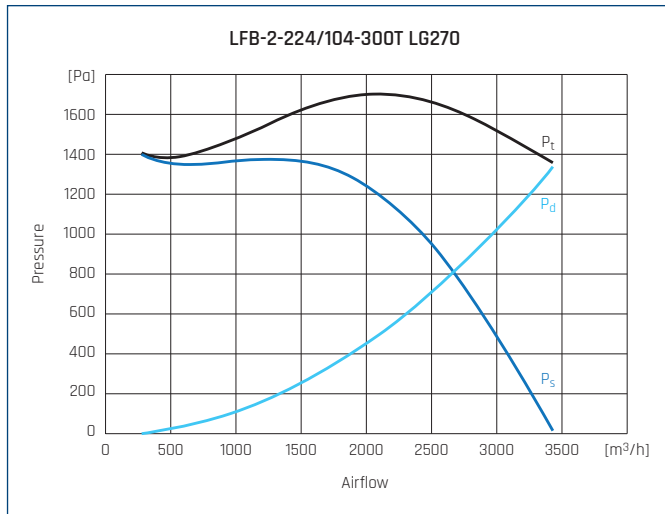
- MC Measurement category
- EC Efficiency category
- VSD Speed control: supplied with the fan
- SR Specific ratio
- η [%] Efficiency
- N Efficiency grade
- [kW] Absorbed power
- [m³/h] Airflow
- [Pa] Static pressure
- [RPM] Speed



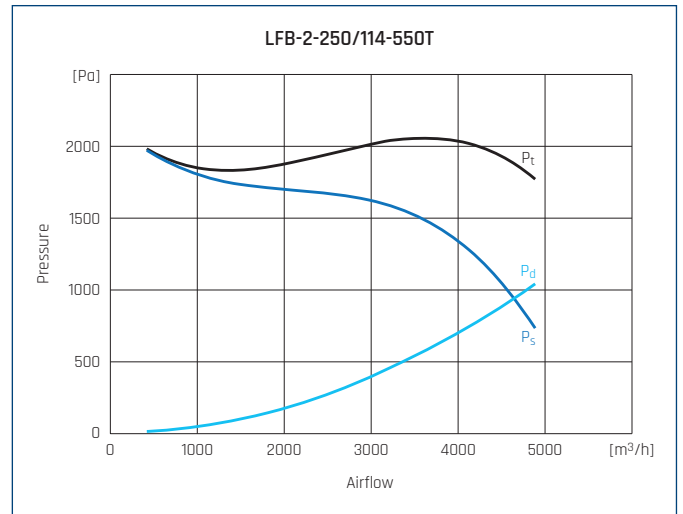
LFB-2-200/74-150T									
MC	EC	VSD	SR	η [%]	N	[kW]	[m³/h]	[Pa]	[RPM]
B	Total	No	1	50,2	55,3	1,09	1426	1376	2880

LFB-2-200/74-150S									
MC	EC	VSD	SR	η [%]	N	[kW]	[m³/h]	[Pa]	[RPM]
B	Total	No	1	45,7	51,8	1,09	1426	1376	2880

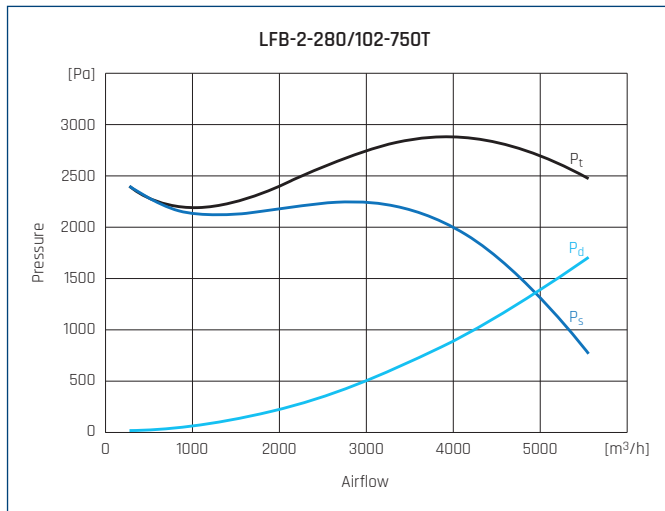
PERFORMANCE CURVES



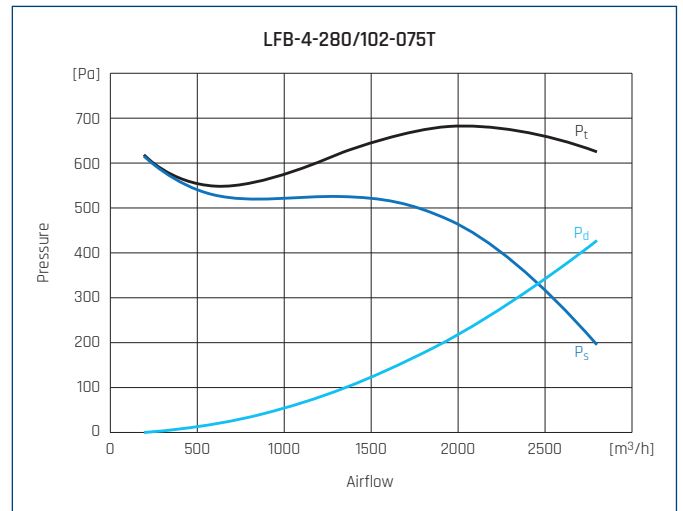
MC	EC	VSD	SR	η [%]	N	[kW]	[m³/h]	[Pa]	[RPM]
B	Total	No	1	49,3	53,6	2,04	2158	1699	2945



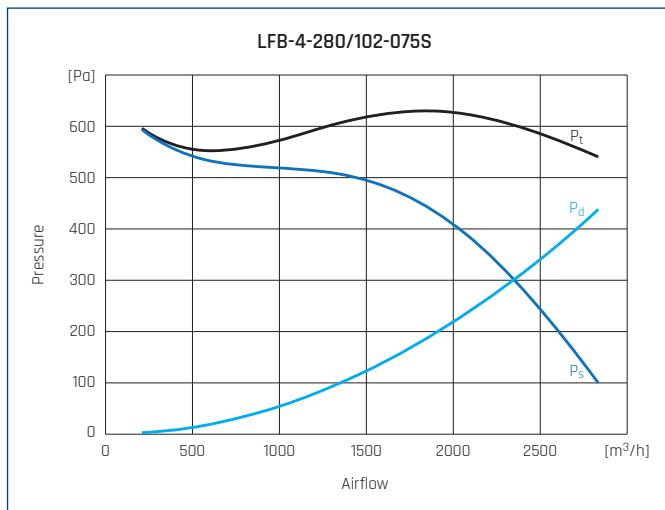
MC	EC	VSD	SR	η [%]	N	[kW]	[m³/h]	[Pa]	[RPM]
B	Total	No	1	49,5	52,4	3,6	3165	2041	2956



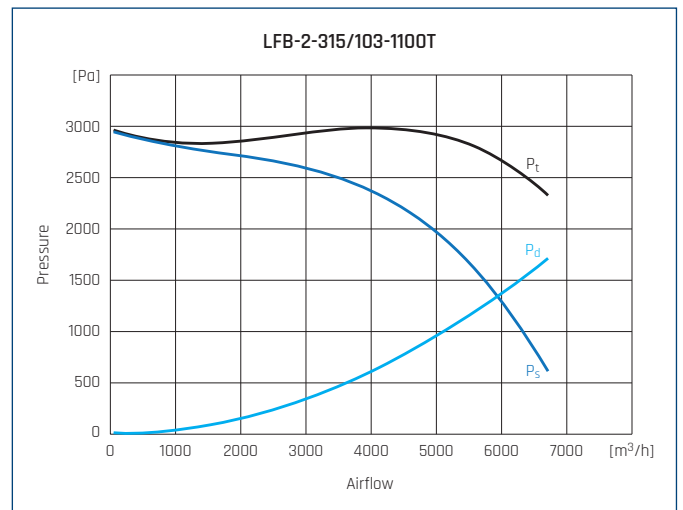
MC	EC	VSD	SR	η [%]	N	[kW]	[m³/h]	[Pa]	[RPM]
B	Total	No	1	56,4	58,2	5,18	3630	2894	2885



MC	EC	VSD	SR	η [%]	N	[kW]	[m³/h]	[Pa]	[RPM]
B	Total	No	1	48,5	55,6	0,75	1 921	682	1395

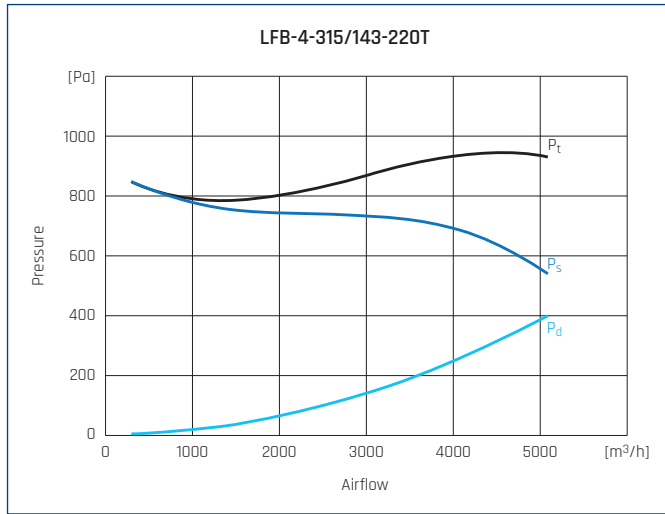


MC	EC	VSD	SR	η [%]	N	[kW]	[m³/h]	[Pa]	[RPM]
B	Total	No	1	42,9	49,8	0,82	2 003	632	2840

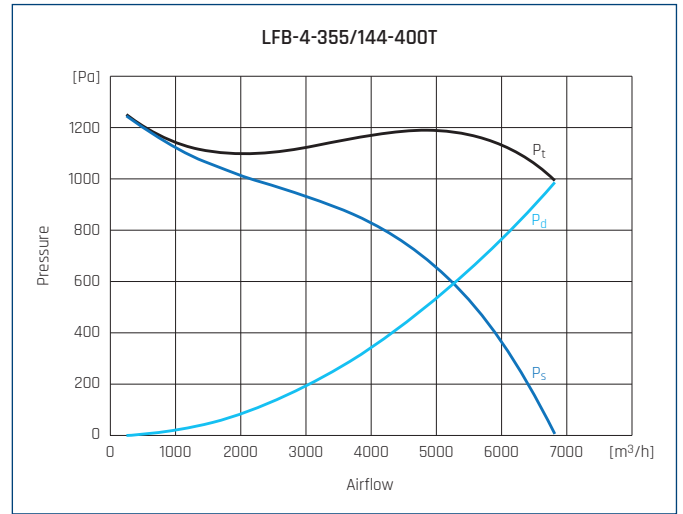


MC	EC	VSD	SR	η [%]	N	[kW]	[m³/h]	[Pa]	[RPM]
B	Total	No	1						

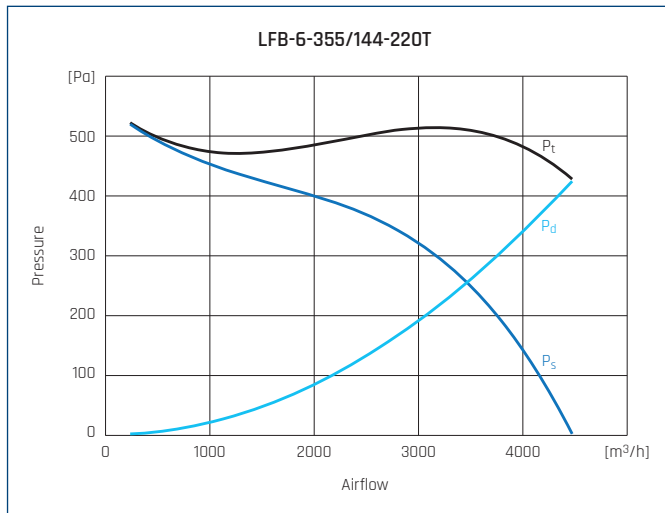
PERFORMANCE CURVES



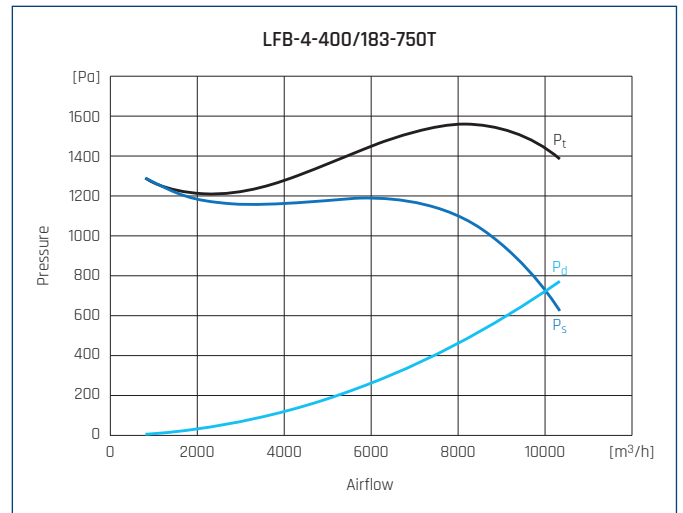
MC	EC	VSD	SR	η [%]	N	[kW]	[m³/h]	[Pa]	[RPM]
B	Total	No	1	50,8	54,8	2,32	4512	940	1453



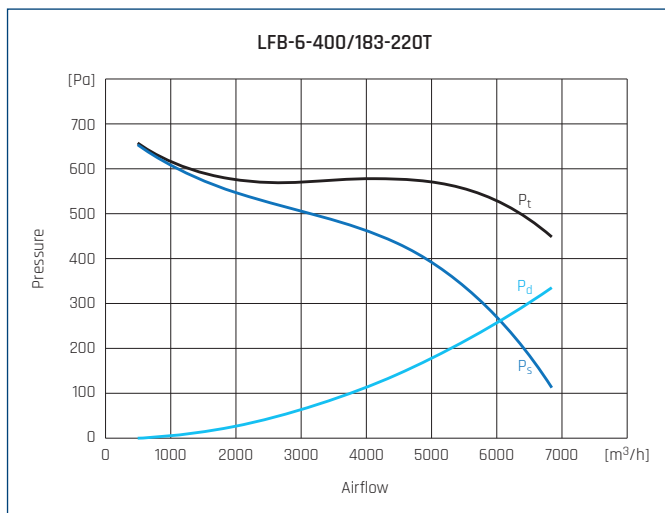
MC	EC	VSD	SR	η [%]	N	[kW]	[m³/h]	[Pa]	[RPM]
B	Total	No	1	56,2	59,8	2,74	4626	1205	1477



MC	EC	VSD	SR	η [%]	N	[kW]	[m³/h]	[Pa]	[RPM]
B	Total	No	1	44,9	51,0	1,07	3311	525	980

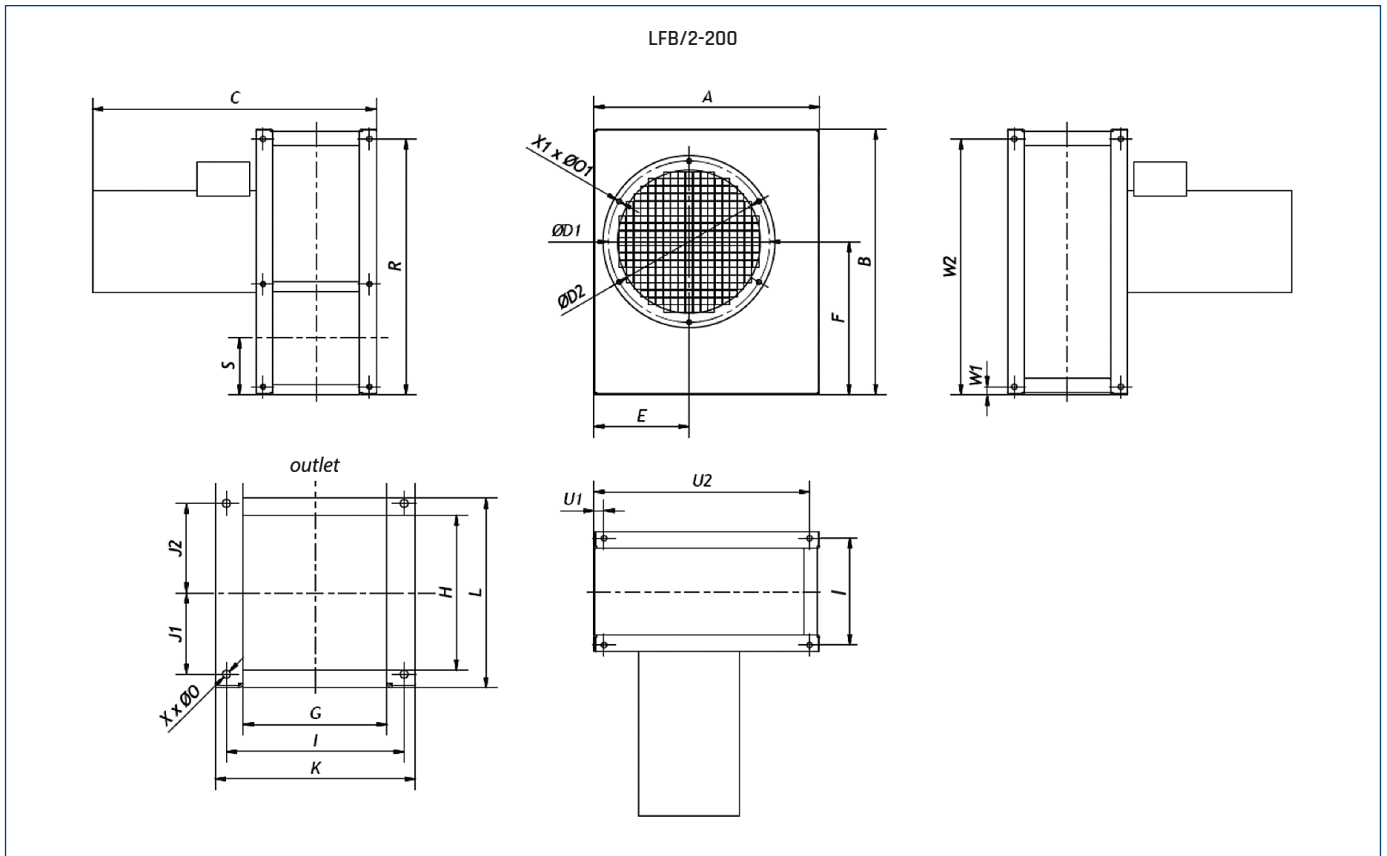


MC	EC	VSD	SR	η [%]	N	[kW]	[m³/h]	[Pa]	[RPM]
B	Total	No	1	56,17	58,66	4,071	5627	1463	1450



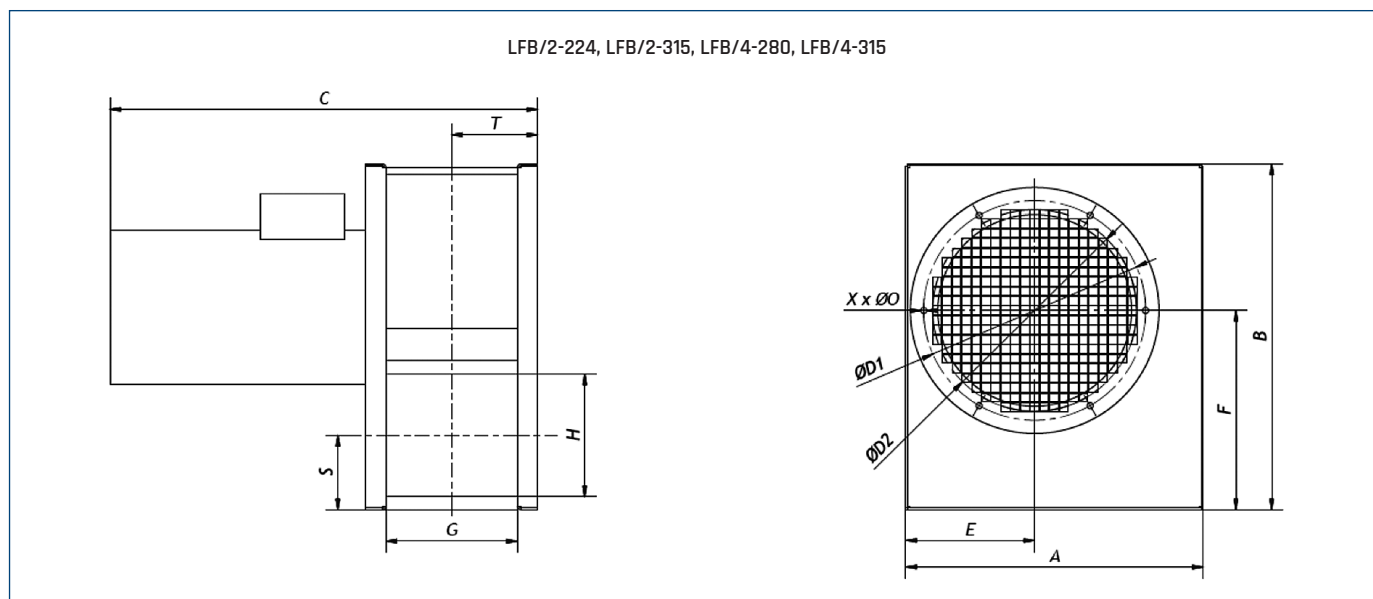
MC	EC	VSD	SR	η [%]	N	[kW]	[m³/h]	[Pa]	[RPM]
C	Static	No	1	39,0	44,4	1,41	3699	537	950

DIMENSIONS [mm]

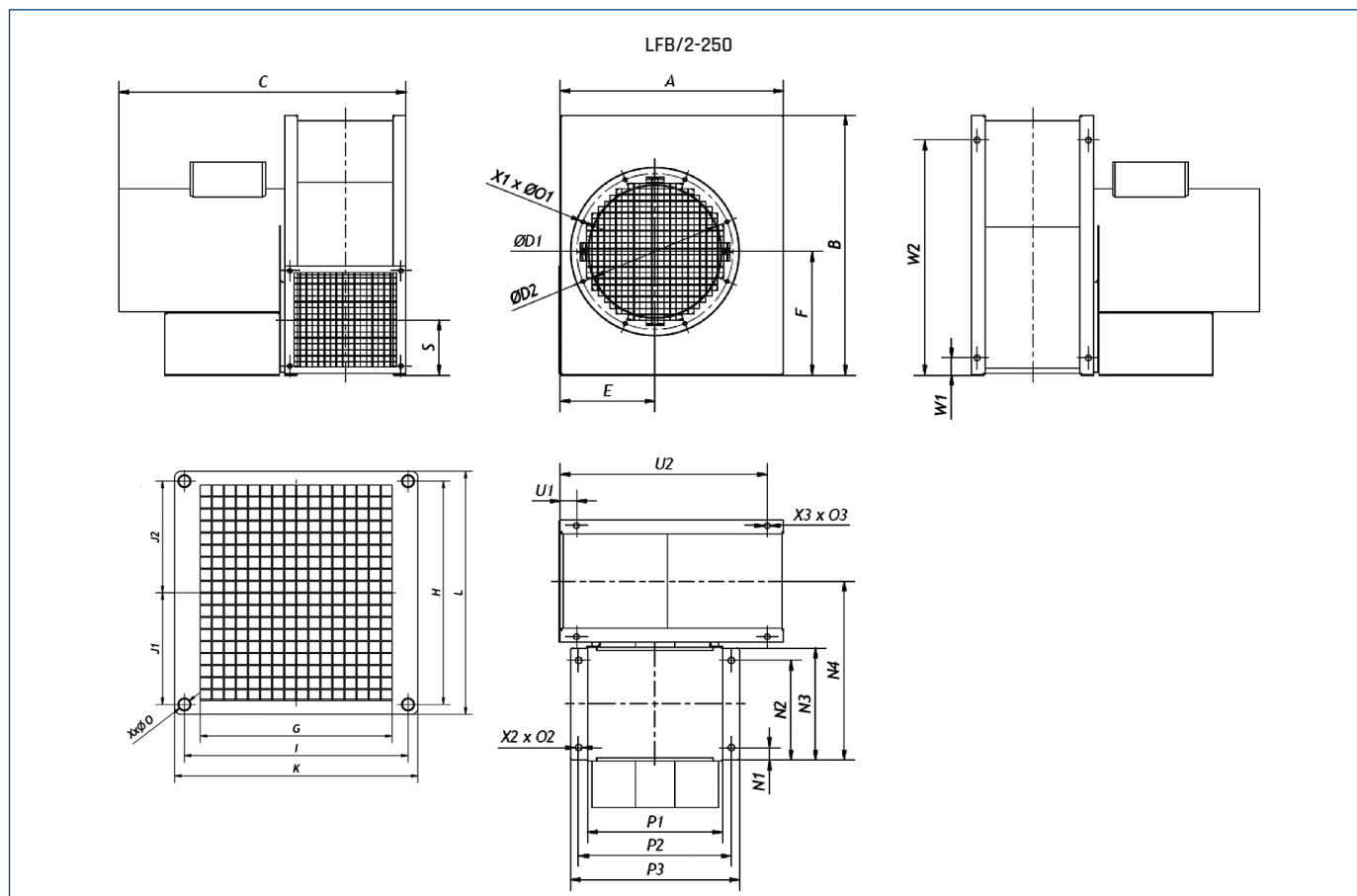


Type	A	B	C	ØD1	ØD2	E	F	G	H	I	J1	J2	K	L	U1	U2	W1	W2	R	S	X	Ø0	X1	Ø01
LFB-2-200/74-150	335	394	454	239	212	141	227	128	138	158	73	80	178	169	15	320	12	379	379	85	18	7	6	7

DIMENSIONS [mm]



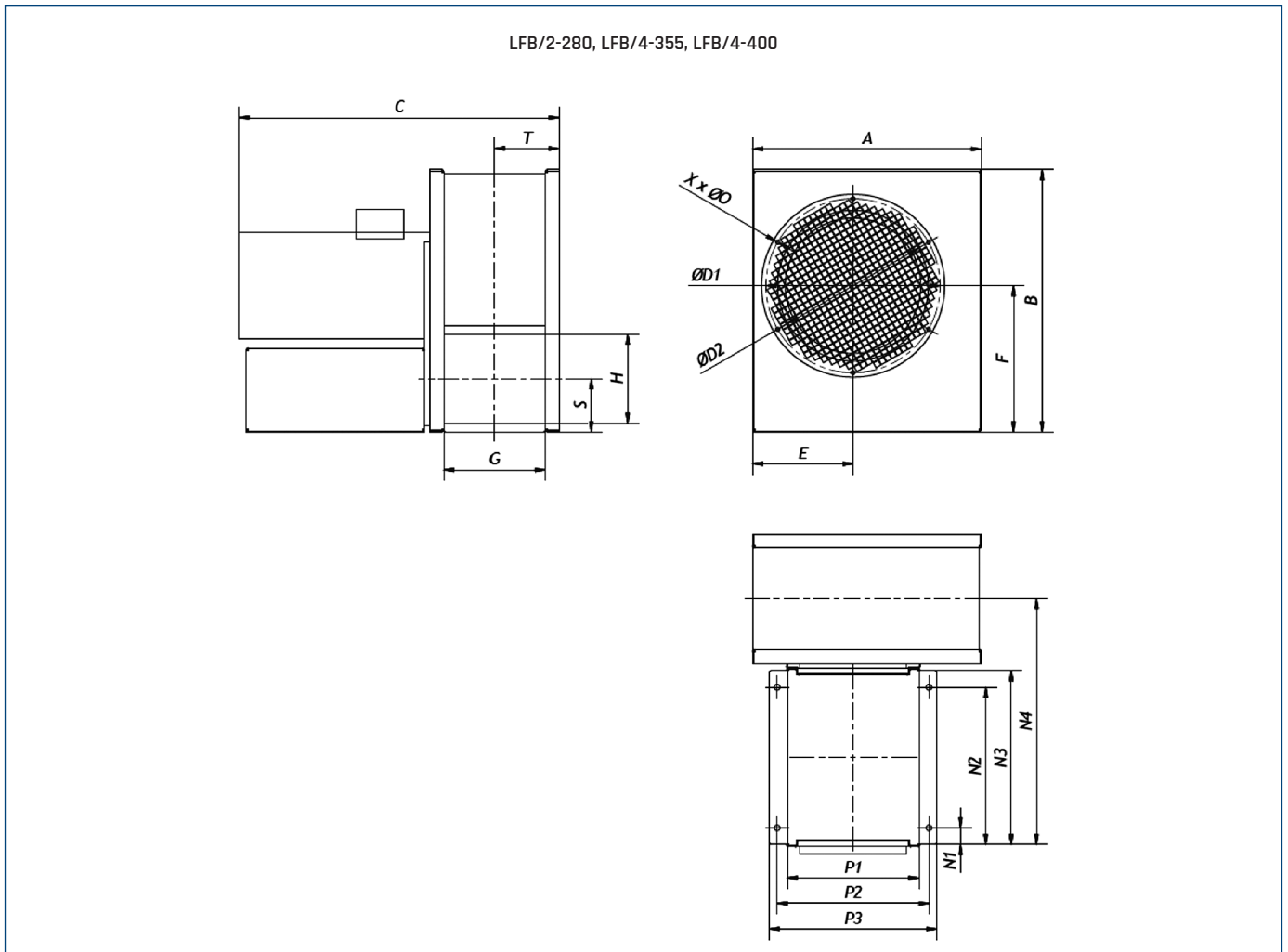
Type	A	B	C	ØD1	ØD2	E	F	G	H	S	T	X	Ø0
LFB-2-224/104-300T	335	394	482	250	230	145	227	148	139	85	97	6	7
LFB-4-280/102-075	410	470	447	312	265	180	262	182	160	95	116	6	12
LFB-2-315/103-1100T	504	600	578	360	331	213	356	230	240	138	142	8	12
LFB-4-315/143-220T	504	600	578	360	331	213	356	230	240	138	142	8	12



Type	A	B	C	ØD1	ØD2	E	F	G	H	I	J1	J2	K	L	N1	N2	N3	N4	P1	P2	P3	S	U1	U2
LFB-2-250/114-550T	410	478	528	286	242	174	227	175	204	204	102	102	222	222	23	183	206	329	248	280	310	112	30	380

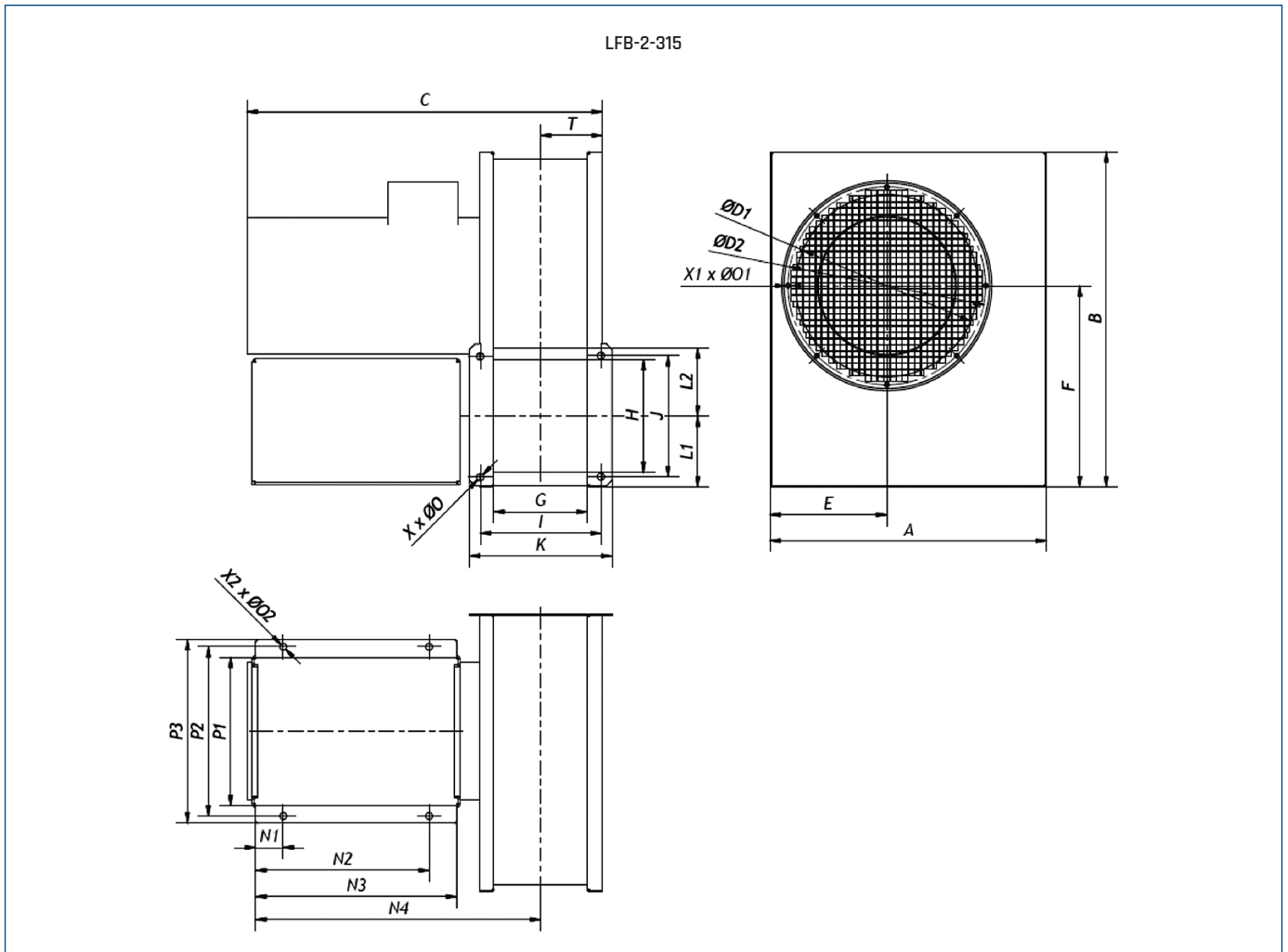
W1	W2	X	Ø0	X1	Ø01	X2	Ø02	X3	Ø03
32	432	4	8	4	7	4	12	4	10

DIMENSIONS [mm]



Type	A	B	C	ØD1	ØD2	E	F	G	H	N1	N2	N3	N4	P1	P2	P3	S	T	X	Ø0
LFB-2-280/102-750T	410	470	574	312	270	180	262	181	160	30	282	312	441	236	272	300	95	116	6	7
LFB-4-355/144-400T	625	640	631	395	287	296	363	217	215	25	175	200	356	-	390	425	123	134	8	9
LFB-6-355/144-220T	625	640	631	395	287	296	363	217	215	25	175	200	356	-	390	425	123	134	8	9
LFB-4-400/183-750T	649	764	739	446	412	270	440	289	278	50	320	370	553	272	310	336	153	170	8	9
LFB-6-400/183-220T	649	764	636	446	412	270	440	289	278	50	320	370	553	272	310	336	153	170	8	9

DIMENSIONS [mm]



Type	A	B	C	ØD1	ØD2	E	F	G	H	I	J	K	L1	L2	N1	N2	N3	N4	P1	P2	P3	X	Ø0	X1	Ø01	X2	Ø02
LFB-2-315/103-1100T	504	610	647	331	360	213	366	170	205	220	220	260	129	124	50	316	366	519	270	308	334	4	13	8	8	4	12