

APPLICATION

ELF fans comply with the requirements of ATEX Directive 2014/34/UE, are designed for use in hazard zones excluding mines and mining pits, meets the requirements of group II category 2G/3G – zone 1 and/or 2.

ATEX marking:

II 2G Ex h IIB T3 Gb

II 2G Ex h IIB T4 Gb on request.

CONSTRUCTION

- low-pressure centrifugal fan with direct drive,
- the impeller is welded from galvanized steel sheet with forward curved blades, dynamically balanced according to ISO 1940-1,
- welded sheet steel housing,
- motor support in models from 160 to 450,
- galvanized protective mesh at inlet and outlet,
- painted in RAL 5010 (corrosivity category C3),
- maximum temperature of the transported medium is 60°C,
- ambient temperature range from -20°C to +40°C,
- figure LG90.

MOTOR

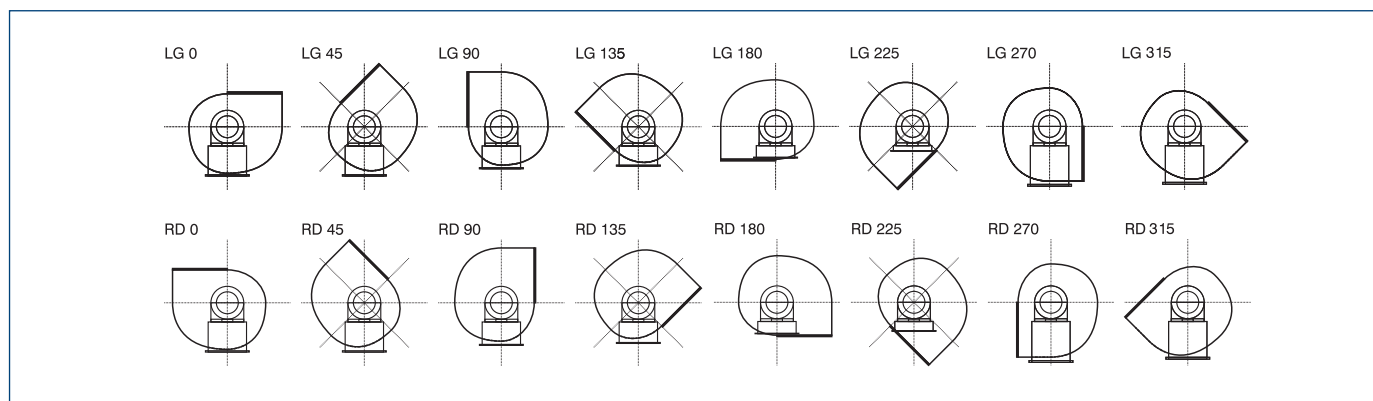
- explosionproof, asynchronous, three-phase, 230/400V 50Hz, 400/690V 50Hz (depending on the model),
- single-speed, 2 or 4 poles,
- degree of protection IP55,
- degree of protection IP66 (fans suitable for frequency regulation),
- insulation class F,
- thermal protection PTC (depending on the model or motors suitable for frequency regulation),
- VFD models suitable for frequency regulation.

ON REQUEST

- different positions LG/RD,
- painting in a different color,
- impeller, housing and support made of stainless steel 1.4301,
- impeller, housing and support made of acid-proof steel 1.4404,
- different motor voltage and frequency,
- different motor degree of protection,
- motor equipped with sensors.



FIGURES



TECHNICAL CHARACTERISTICS

| Type | airflow max | pressure max | rated power | speed | maximum absorbed current | voltage | supply frequency | sound pressure level* | weight | article number |
|-----------------------------|-------------|--------------|-------------|----------|--------------------------|---------|------------------|-----------------------|--------|----------------|
| | [m³/h] | [Pa] | [kW] | [r.p.m.] | [A] | [V] | [Hz] | [dB(A)] | [kg] | |
| II 2G Ex h IIB T3 Gb | | | | | | | | | | |
| ELF-2-97T | 250 | 230 | 0,09 | 2760 | 0,7/0,4 | 230/400 | 50 | 58 | 4,6 | 45523000 |
| ELF-2-97T VFD | 250 | 230 | 0,12 | 2680 | 0,87/0,5 | 230/400 | 50 | 58 | 6,7 | 425523002 |
| ELF-4-97T | 125 | 60 | 0,06 | 1380 | 0,54/0,31 | 230/400 | 50 | 43 | 4,6 | 45523001 |
| ELF-4-97T VFD | 125 | 60 | 0,09 | 1380 | 0,54/0,37 | 230/400 | 50 | 43 | 6,7 | 45523003 |
| ELF-2-108T | 345 | 390 | 0,09 | 2760 | 0,7/0,4 | 230/400 | 50 | 61 | 4,6 | 45523010 |
| ELF-2-108T VFD | 345 | 390 | 0,12 | 2680 | 0,87/0,5 | 230/400 | 50 | 61 | 6,7 | 425523012 |
| ELF-4-108T | 175 | 100 | 0,06 | 1380 | 0,54/0,31 | 230/400 | 50 | 46 | 4,6 | 45523011 |
| ELF-4-108T VFD | 175 | 100 | 0,09 | 1380 | 0,54/0,37 | 230/400 | 50 | 46 | 6,7 | 45523013 |
| ELF-2-120T | 520 | 410 | 0,12 | 2750 | 0,7/0,4 | 230/400 | 50 | 63 | 5,2 | 45523020 |
| ELF-2-120T VFD | 520 | 410 | 0,12 | 2680 | 0,87/0,5 | 230/400 | 50 | 63 | 7,3 | 425523022 |
| ELF-4-120T | 260 | 105 | 0,06 | 1380 | 0,54/0,31 | 230/400 | 50 | 48 | 5,2 | 45523021 |
| ELF-4-120T VFD | 260 | 105 | 0,09 | 1380 | 0,54/0,37 | 230/400 | 50 | 48 | 7,3 | 45523023 |
| ELF-2-133T | 680 | 610 | 0,18 | 2820 | 1,05/0,6 | 230/400 | 50 | 63 | 6,4 | 45523030 |
| ELF-2-133T VFD | 680 | 610 | 0,25 | 2870 | 1,55/0,9 | 230/400 | 50 | 63 | 7 | 45523031 |
| ELF-2-133T VFD | 680 | 610 | 0,18 | 2825 | 1,07/0,62 | 230/400 | 50 | 63 | 8,3 | 425523033 |
| ELF-2-133T VFD | 810 | 610 | 0,25 | 2750 | 1,28/0,74 | 230/400 | 50 | 63 | 8,3 | 425523034 |
| ELF-4-133T | 405 | 150 | 0,06 | 1380 | 0,54/0,31 | 230/400 | 50 | 48 | 5,7 | 45523032 |
| ELF-4-133T VFD | 405 | 150 | 0,09 | 1380 | 0,54/0,37 | 230/400 | 50 | 48 | 7,8 | 45523035 |
| ELF-2-146T | 855 | 680 | 0,37 | 2780 | 1,75/1,0 | 230/400 | 50 | 68 | 8,2 | 45523040 |
| ELF-2-146T VFD | 855 | 680 | 0,37 | 2900 | 2,08/1,2 | 230/400 | 50 | 68 | 10,7 | 425523042 |
| ELF-4-146T | 335 | 170 | 0,06 | 1380 | 0,54/0,31 | 230/400 | 50 | 53 | 6,1 | 45523041 |
| ELF-4-146T VFD | 335 | 170 | 0,09 | 1380 | 0,54/0,37 | 230/400 | 50 | 53 | 8,2 | 45523043 |
| ELF-2-160T | 930 | 765 | 0,37 | 2780 | 1,75/1,0 | 230/400 | 50 | 73 | 10 | 45523050 |
| ELF-2-160T VFD | 1010 | 765 | 0,55 | 2800 | 2,6/1,5 | 230/400 | 50 | 73 | 11 | 45523054 |
| ELF-2-160T VFD | 930 | 765 | 0,37 | 2900 | 2,08/1,2 | 230/400 | 50 | 73 | 12,5 | 425523052 |
| ELF-2-160T VFD | 1010 | 765 | 0,55 | 2840 | 2,51/1,45 | 230/400 | 50 | 73 | 12,5 | 425523052 |
| ELF-4-160T | 505 | 190 | 0,12 | 1415 | 1,15/0,65 | 230/400 | 50 | 58 | 8,6 | 45523051 |
| ELF-4-160T VFD | 505 | 190 | 0,12 | 1370 | 0,54/0,44 | 230/400 | 50 | 58 | 10,5 | 425523053 |
| ELF-2-180T | 1300 | 1030 | 0,75 | 2710 | 3,1/1,8 | 230/400 | 50 | 74 | 14,4 | 45523060 |
| ELF-2-180T VFD | 1300 | 1030 | 0,75 | 2870 | 3,45/2,0 | 230/400 | 50 | 74 | 16,6 | 435523062 |
| ELF-4-180T | 730 | 260 | 0,25 | 1370 | 1,5/0,85 | 230/400 | 50 | 59 | 11,4 | 45523061 |
| ELF-4-180T VFD | 730 | 260 | 0,25 | 1425 | 1,65/0,95 | 230/400 | 50 | 59 | 13,6 | 425523063 |
| ELF-2-200T | 2380 | 1200 | 1,5 | 2850 | 6,06/3,5 | 230/400 | 50 | 75 | 21 | 45523070 |
| ELF-2-200T VFD | 2380 | 1200 | 1,5 | 2870 | 6,41/3,7 | 230/400 | 50 | 75 | 22 | 435523072 |
| ELF-4-200T | 1185 | 350 | 0,37 | 1360 | 2,6/1,5 | 230/400 | 50 | 60 | 16,3 | 45523071 |
| ELF-4-200T VFD | 1185 | 350 | 0,55 | 1390 | 3,03/1,75 | 230/400 | 50 | 60 | 18,5 | 425523073 |
| ELF-2-225T | 2700 | 1860 | 2,4 | 2905 | 8,31/4,8 | 230/400 | 50 | 79 | 39,1 | 45523080 |
| ELF-2-225T VFD | 2845 | 1860 | 3 | 2840 | 11,43/6,6 | 230/400 | 50 | 79 | 36,3 | 435523082 |
| ELF-4-225T | 1630 | 410 | 0,55 | 1360 | 2,6/1,5 | 230/400 | 50 | 64 | 24,1 | 45523081 |
| ELF-4-225T VFD | 1700 | 390 | 0,55 | 1390 | 3,03/1,75 | 230/400 | 50 | 64 | 26,3 | 425523083 |
| ELF-2-250T | 5200 | 2240 | 5,5 | 2915 | 10,4 | 400 | 50 | 84 | 81,3 | 45523090 |
| ELF-2-250T VFD | 5200 | 2240 | 5,5 | 2910 | 19,92/11,5 | 400/690 | 50 | 84 | 69,3 | 435523092 |
| ELF-4-250T | 2700 | 540 | 0,75 | 1360 | 3,3/1,9 | 230/400 | 50 | 69 | 33,3 | 45523091 |
| ELF-4-250T VFD | 2700 | 540 | 0,75 | 1410 | 3,64/2,1 | 230/400 | 50 | 69 | 35,3 | 435523093 |
| ELF-2-280T | 3770 | 2040 | 5,5 | 2915 | 10,4 | 400 | 50 | 87 | 82,3 | 45523100 |
| ELF-2-280T VFD | 3770 | 2040 | 5,5 | 2910 | 11,5/6,64 | 400/690 | 50 | 87 | 70,3 | 435523102 |
| ELF-4-280T | 2260 | 590 | 1,1 | 1405 | 2,7 | 400 | 50 | 72 | 38 | 45523101 |
| ELF-4-280T VFD | 2260 | 590 | 1,1 | 1420 | 5,72/3,3 | 230/400 | 50 | 72 | 38,8 | 435523103 |
| ELF-4-315T | 6480 | 1015 | 3 | 1415 | 11,95/6,9 | 230/400 | 50 | 78 | 63,5 | 45523110 |
| ELF-4-315T VFD | 6480 | 1015 | 3 | 1430 | 12,3/7,1 | 230/400 | 50 | 78 | 62,5 | 435523112 |
| ELF-6-315T | 3285 | 360 | 0,75 | 915 | 3,81/2,2 | 230/400 | 50 | 69 | 51,6 | 45523111 |
| ELF-6-315T VFD | 3285 | 360 | 0,75 | 920 | 3,98/2,3 | 230/400 | 50 | 69 | 52,5 | 435523113 |

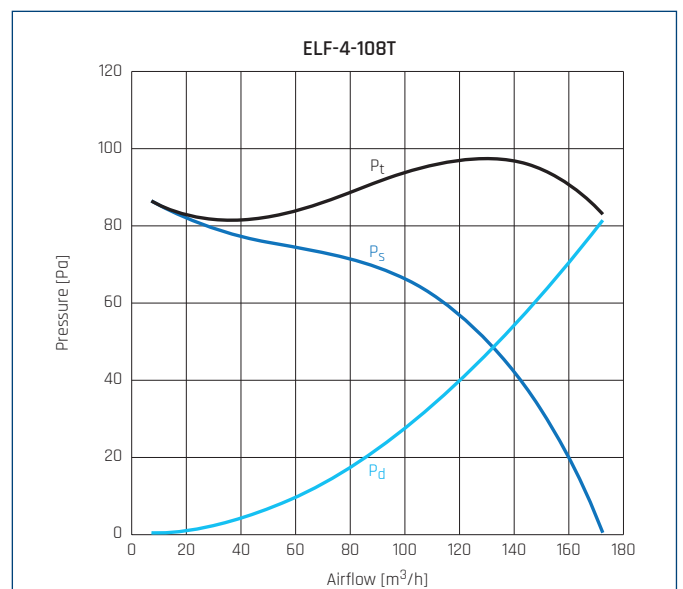
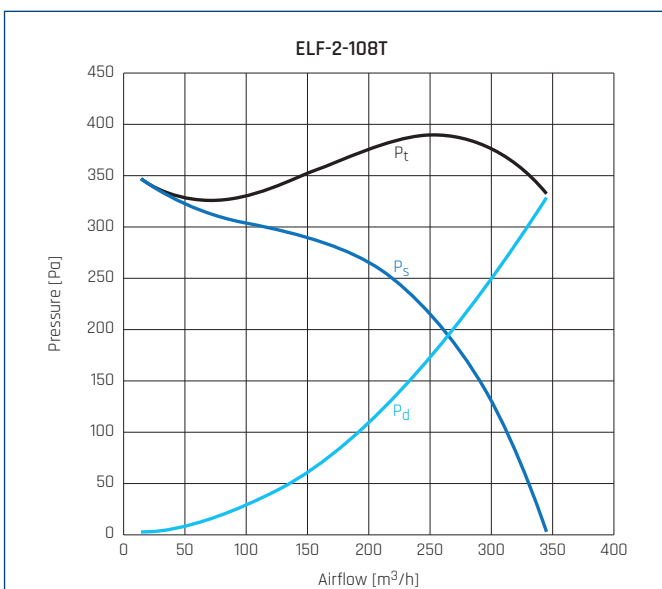
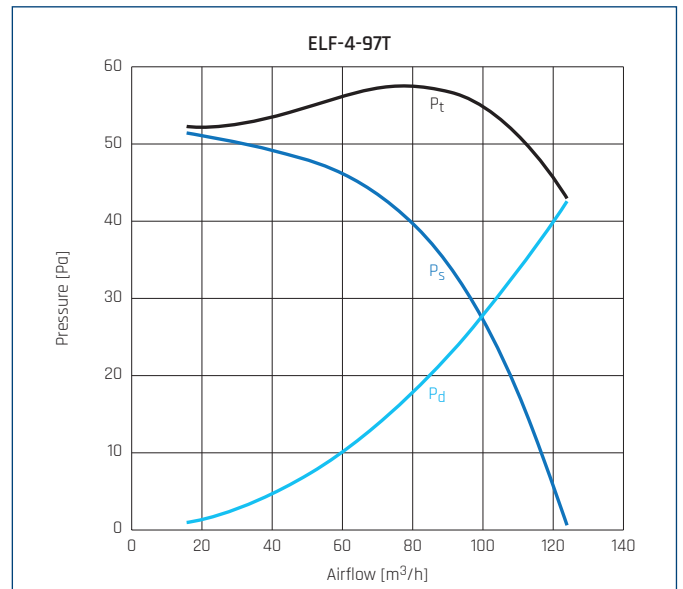
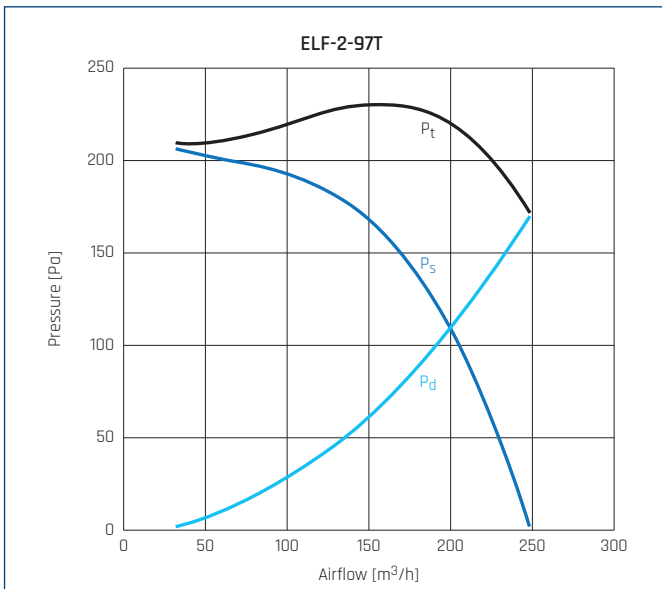
* sound pressure measured at a distance of 1,5m from the fan at q=2/3*Qmax.

TECHNICAL CHARACTERISTICS

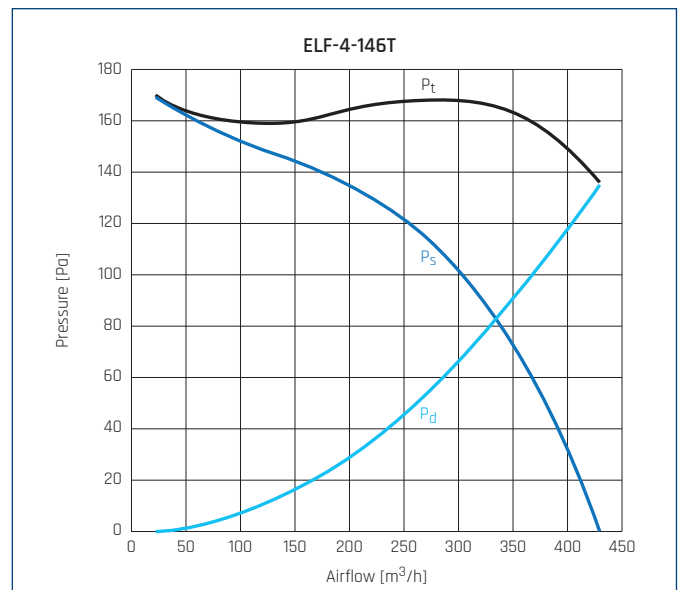
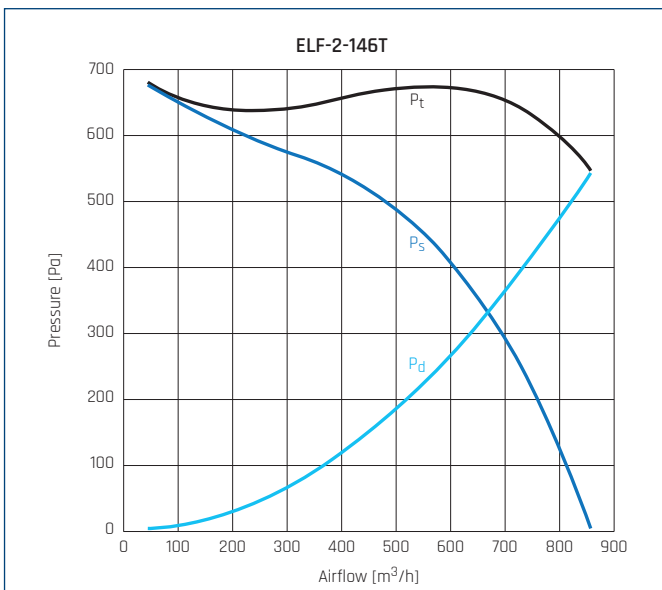
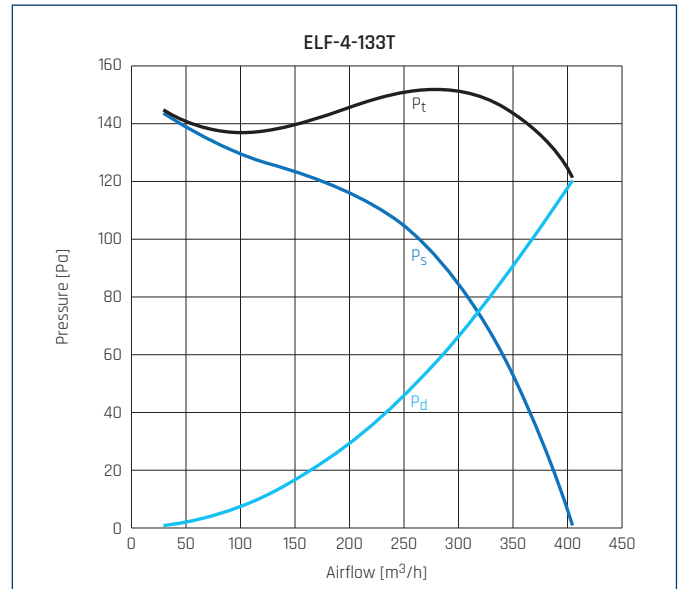
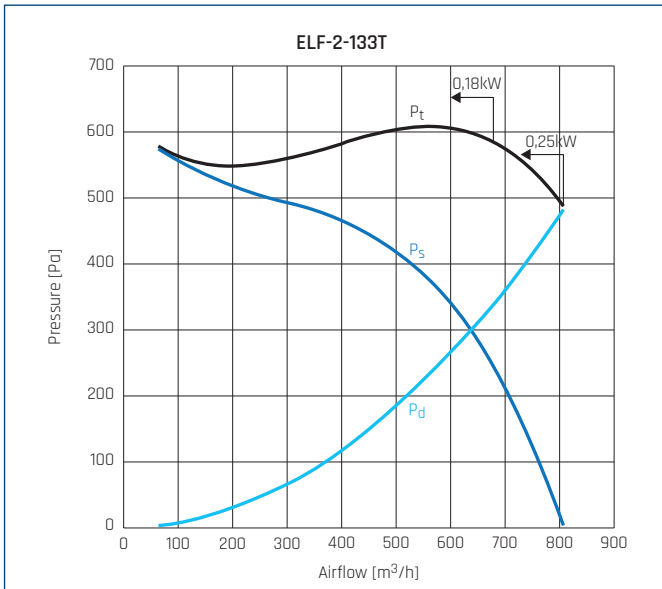
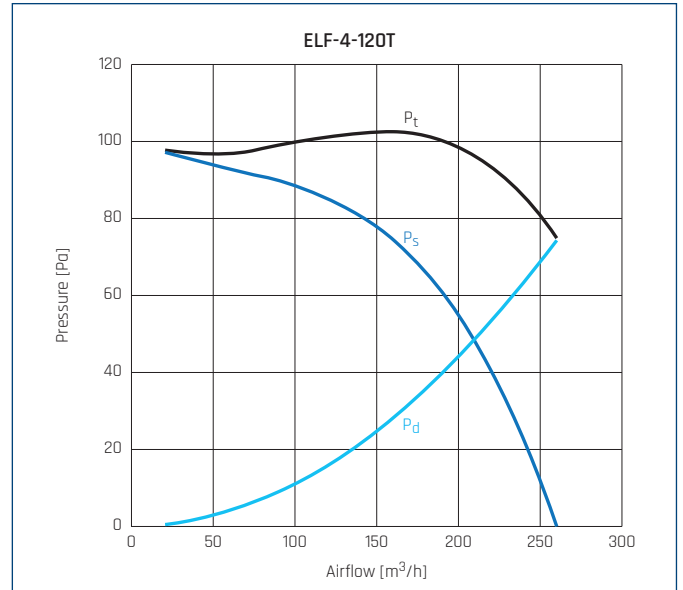
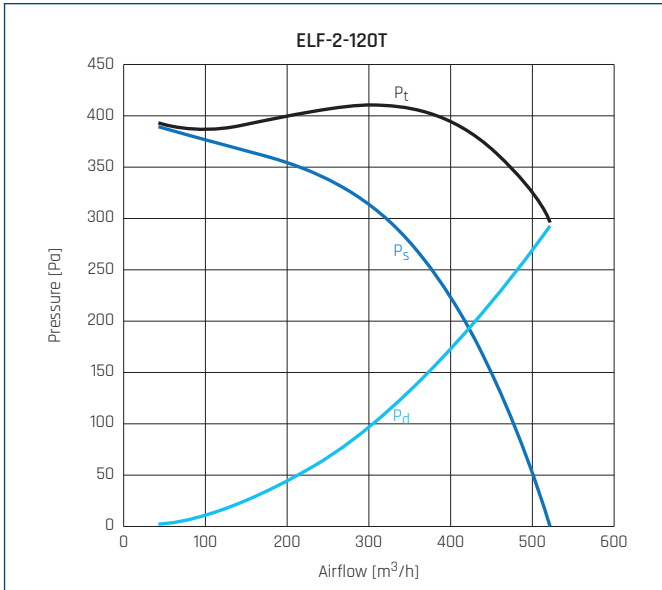
| Type | airflow max | pressure max | rated power | speed | maximum absorbed current | voltage | supply frequency | sound pressure level* | weight | article number |
|-----------------------------|---------------------|--------------|-------------|----------|--------------------------|---------|------------------|-----------------------|--------|----------------|
| | [m ³ /h] | [Pa] | [kW] | [r.p.m.] | [A] | [V] | [Hz] | [dB(A)] | [kg] | |
| II 2G Ex h IIB T3 Gb | | | | | | | | | | |
| ELF-4-355T | 6835 | 1220 | 4 | 1430 | 8,3 | 400 | 50 | 78 | 79,7 | 45523120 |
| ELF-4-355T VFD | 6800 | 1240 | 4 | 1440 | 15,76/9,1 | 230/400 | 50 | 78 | 102,7 | 435523122 |
| ELF-6-355T | 4475 | 530 | 2,2 | 960 | 5,1 | 400 | 50 | 63 | 78,7 | 45523121 |
| ELF-6-355T VFD | 4490 | 520 | 2,2 | 940 | 9,7/5,6 | 230/400 | 50 | 63 | 83,7 | 435523123 |
| ELF-4-400T | 11150 | 1385 | 7,5 | 1450 | 7,5 | 400 | 50 | 79 | 142,3 | 45523130 |
| ELF-4-400T VFD | 11150 | 1385 | 7,5 | 1450 | 15,6/9,0 | 400/690 | 50 | 79 | 127,3 | 435523132 |
| ELF-6-400T | 7430 | 615 | 2,2 | 960 | 5,1 | 400 | 50 | 70 | 103,3 | 45523131 |
| ELF-6-400T VFD | 7430 | 615 | 2,2 | 940 | 9,7/5,6 | 230/400 | 50 | 70 | 108,3 | 435523133 |
| ELF-6-450T | 11500 | 820 | 5,5 | 950 | 11,6 | 400 | 50 | 74 | 149,8 | 45523140 |
| ELF-6-450T VFD | 11500 | 820 | 5,5 | 950 | 12,5/7,22 | 400/690 | 50 | 74 | 133,8 | 435523141 |

* sound pressure measured at a distance of 1,5m from the fan at $q=2/3 \cdot Q_{max}$.

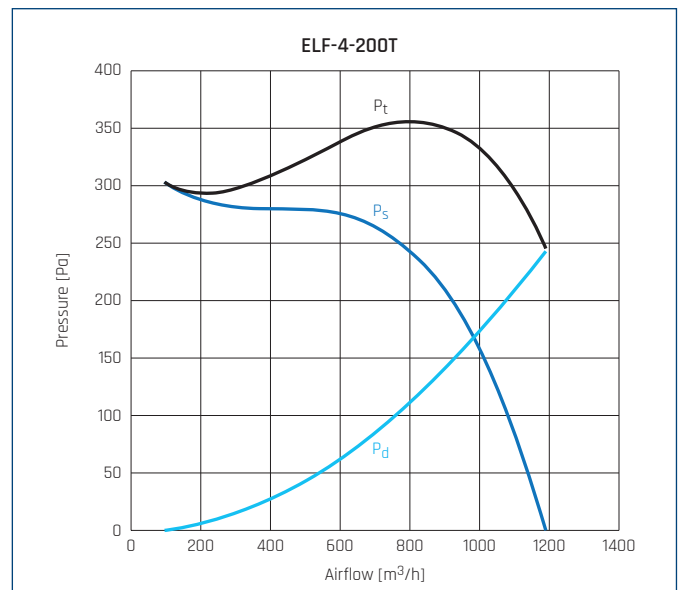
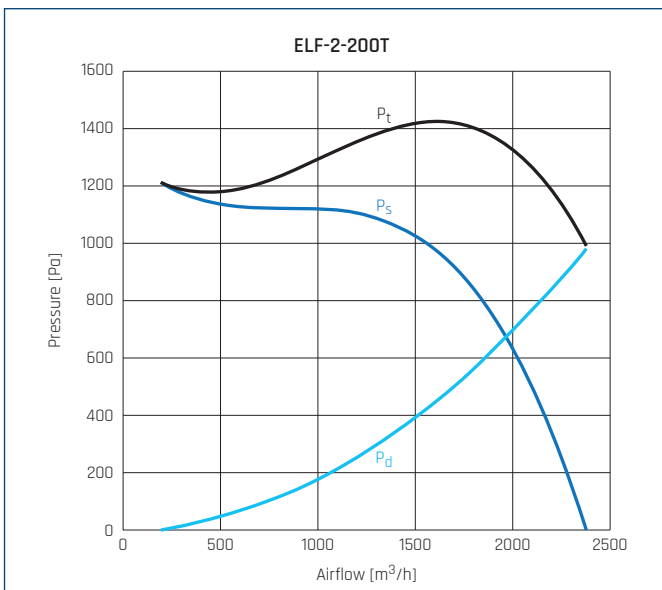
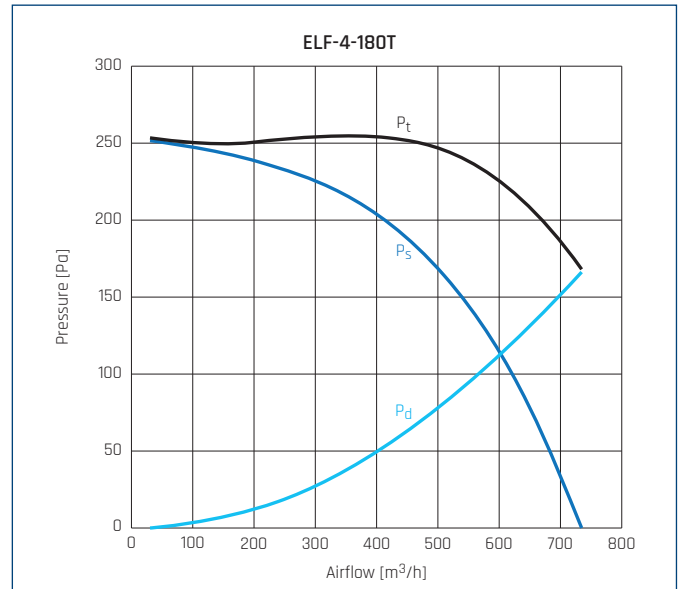
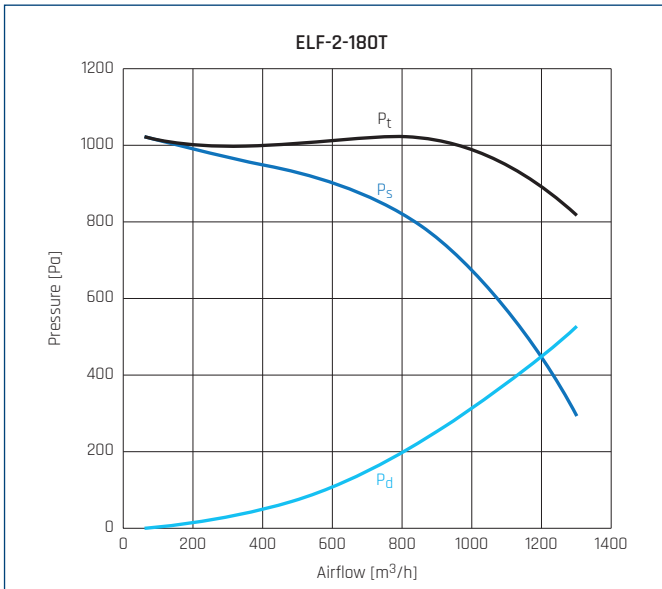
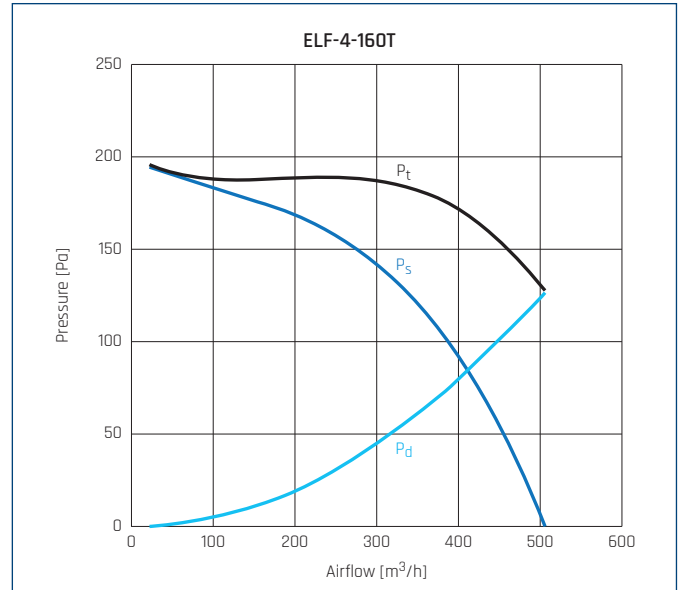
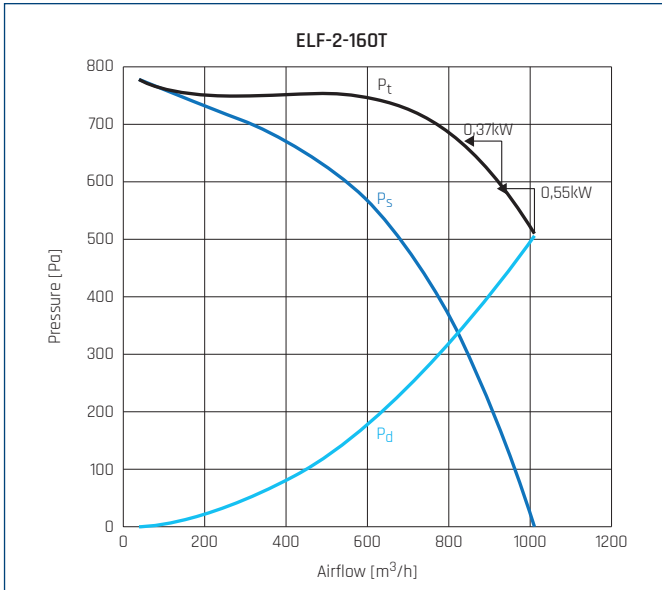
PERFORMANCE CURVES



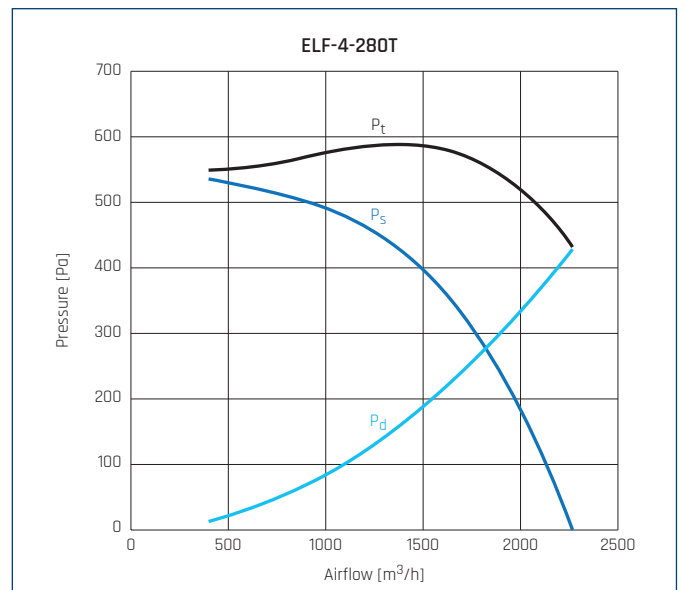
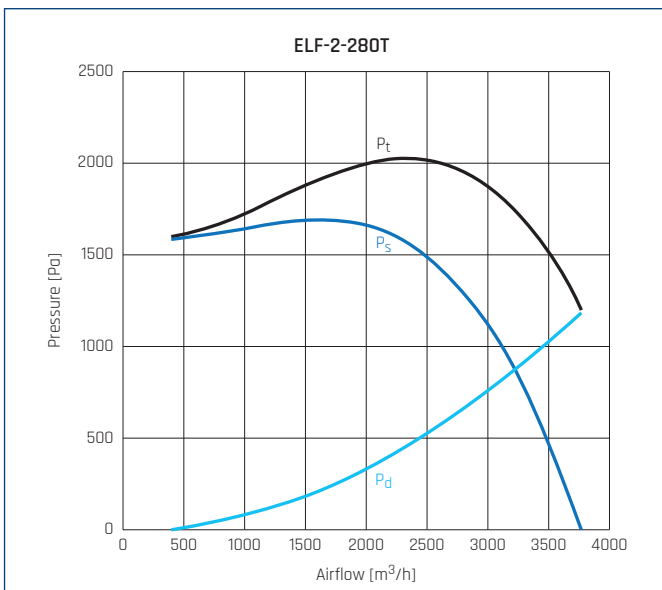
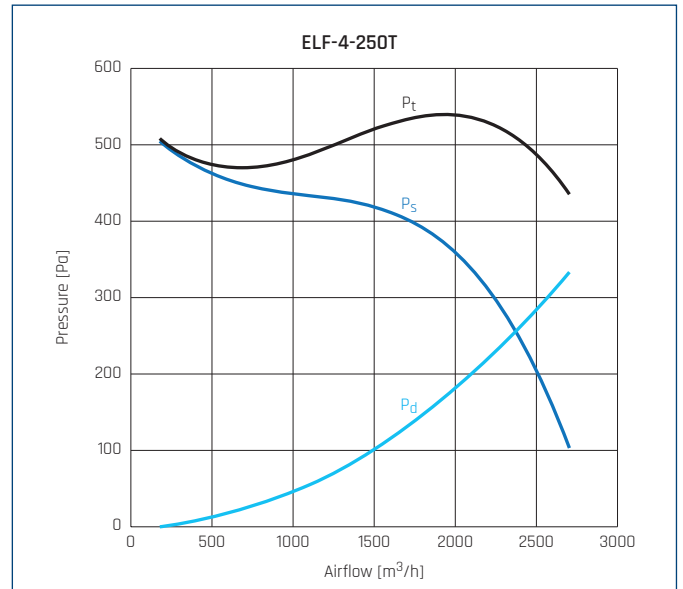
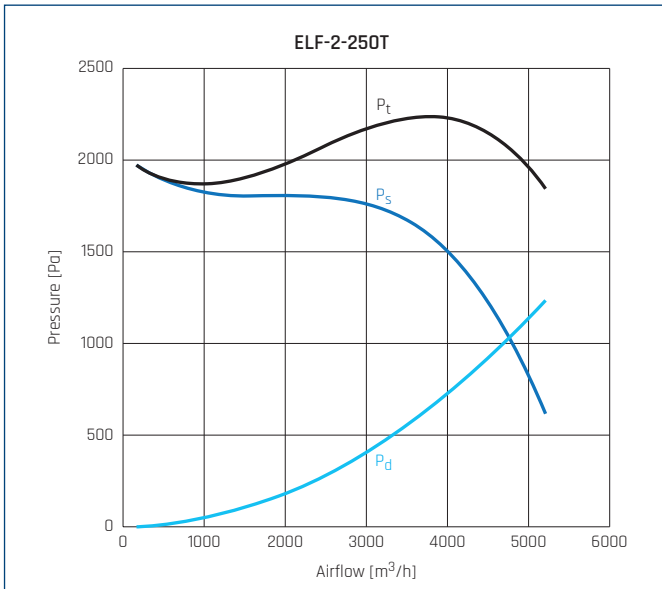
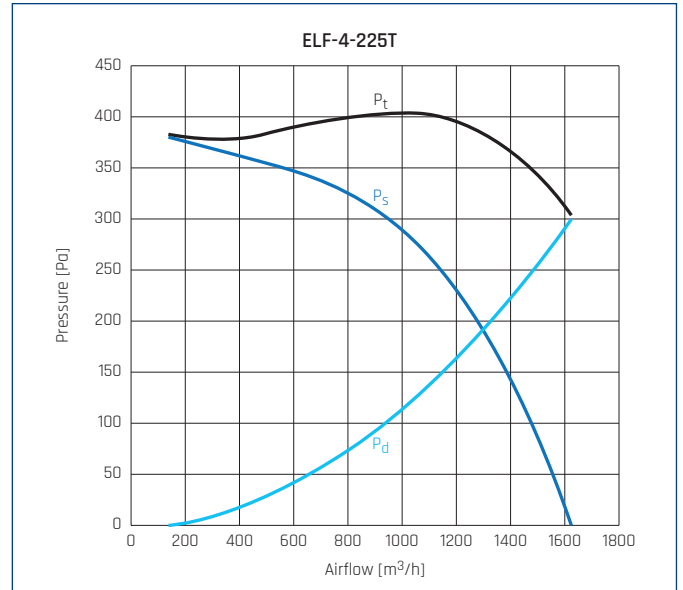
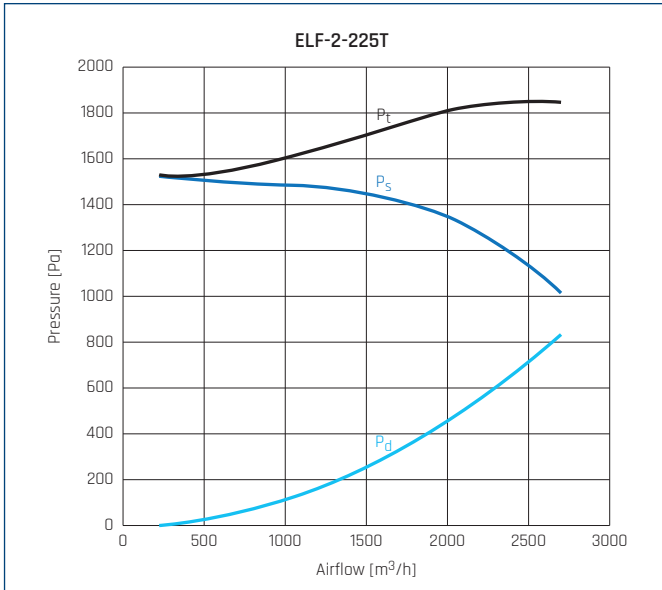
PERFORMANCE CURVES



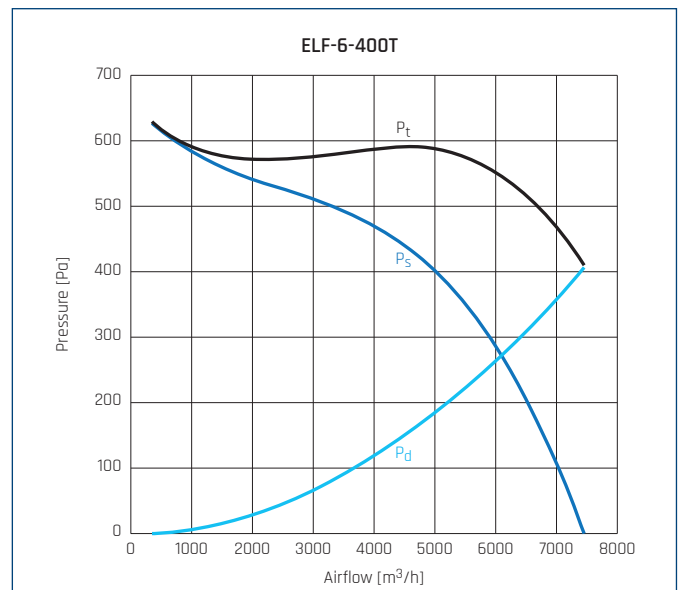
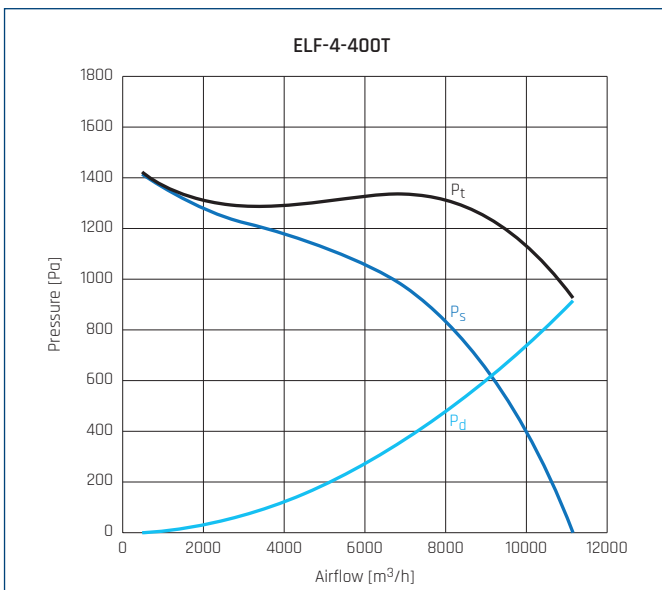
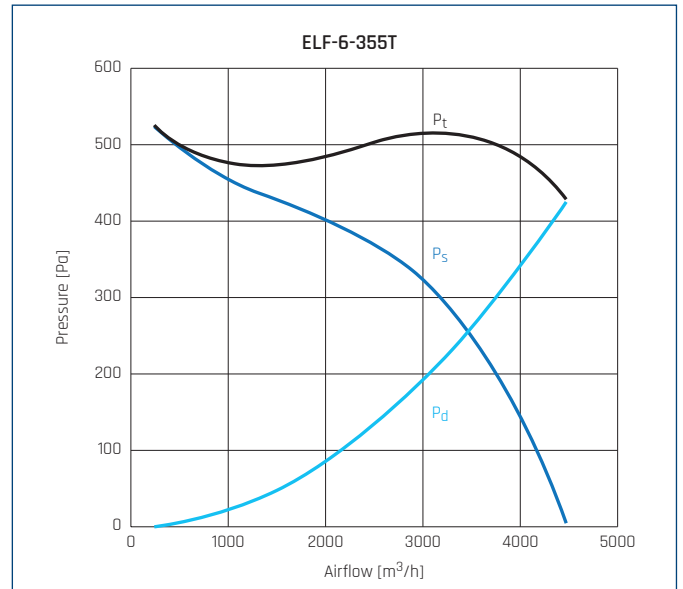
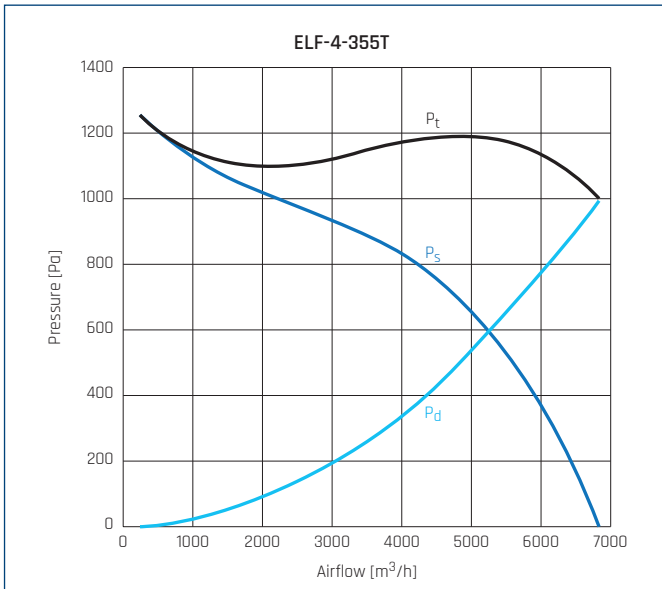
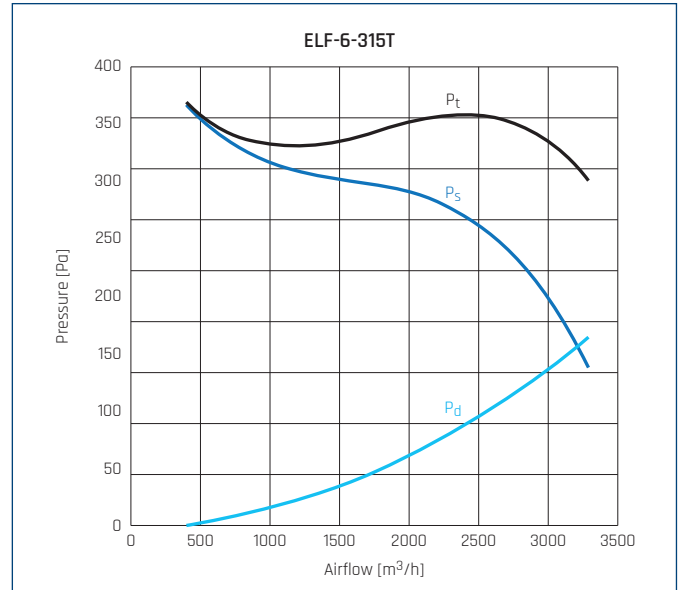
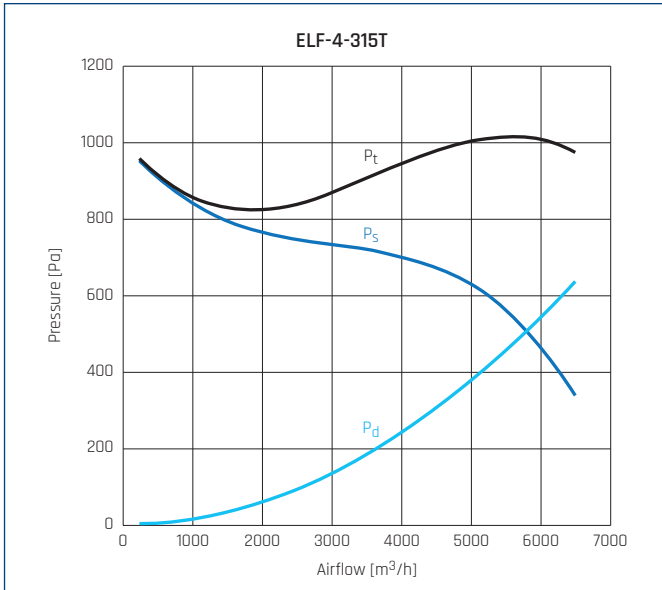
PERFORMANCE CURVES



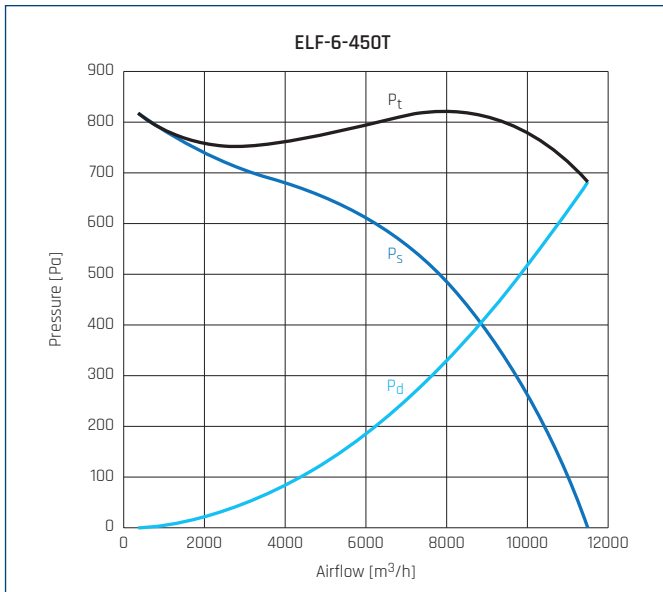
PERFORMANCE CURVES



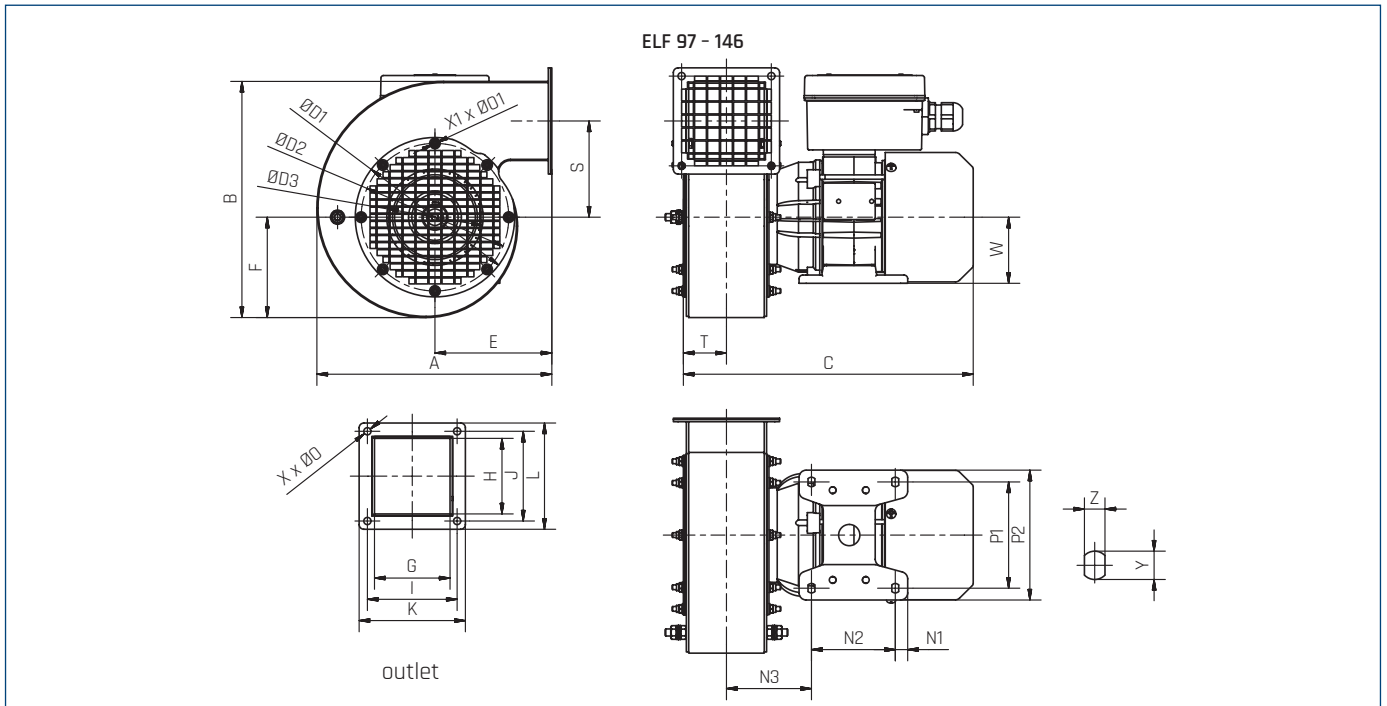
PERFORMANCE CURVES



PERFORMANCE CURVES



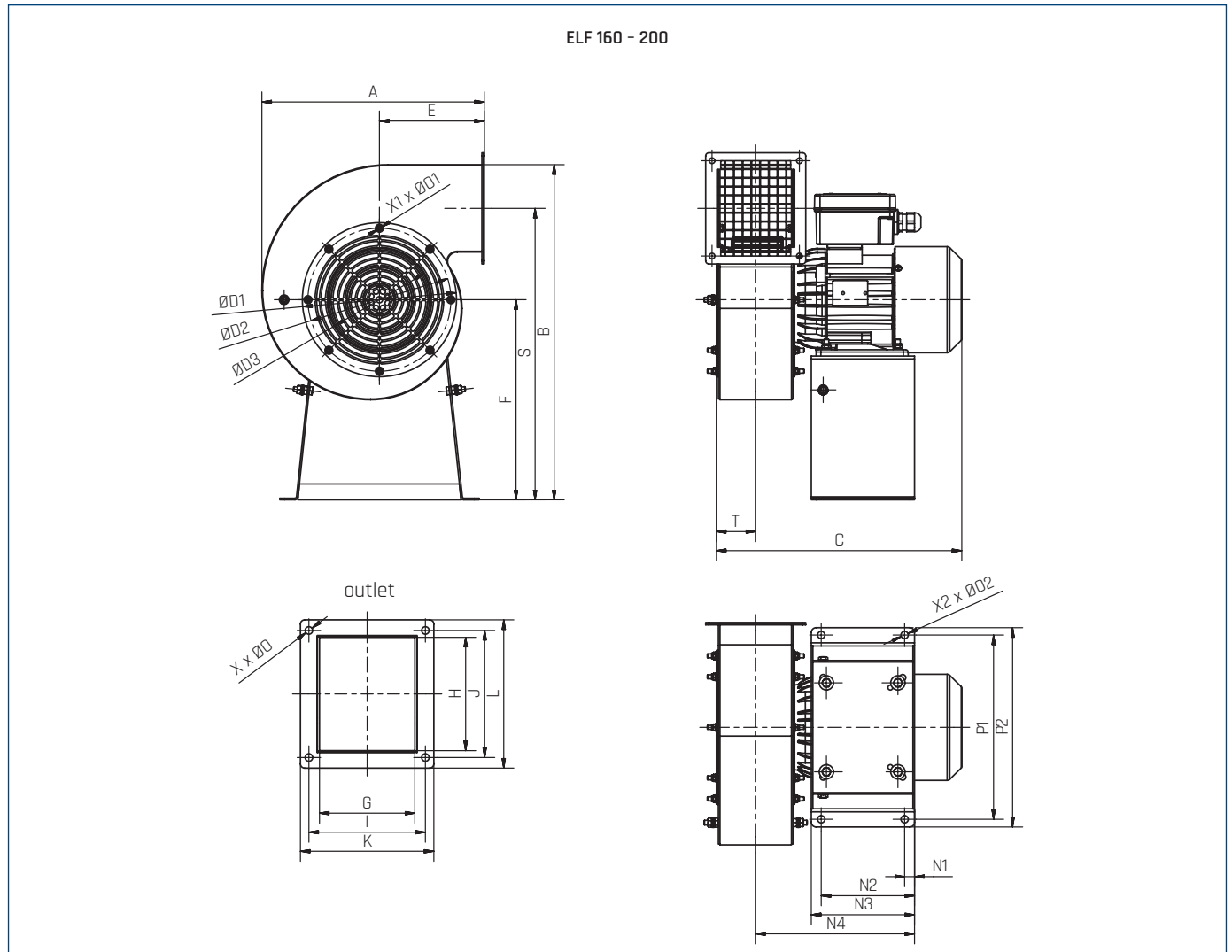
DIMENSIONS [mm]



| Type | A | B | C* | ØD1 | ØD2 | ØD3 | E | F | G | H | I | J | K | L | N1 | N2 | N3 | Ø0 | Ø01 | P1 | P2 | S | T | W | X | X1 | Y | Z |
|---------------|-----|-----|-------|-----|-----|------|-----|-----|----|----|-----|-----|-----|-----|------|----|----|----|-----|-----|-----|------|------|----|---|----|----|-----|
| ELF-X-97 | 199 | 200 | 245,5 | 135 | 125 | 81,6 | 99 | 85 | 64 | 64 | 76 | 76 | 90 | 90 | 10,5 | 70 | 72 | 6 | M4 | 90 | 110 | 81,5 | 36,5 | 56 | 4 | 8 | 8 | 5,8 |
| ELF-X-97 VFD | 199 | 200 | 262,5 | 135 | 125 | 81,6 | 99 | 85 | 64 | 64 | 76 | 76 | 90 | 90 | 12,5 | 80 | 81 | 6 | M4 | 100 | 120 | 81,5 | 36,5 | 63 | 4 | 8 | 12 | 7 |
| ELF-X-108 | 199 | 200 | 245,5 | 135 | 125 | 81,6 | 99 | 85 | 64 | 64 | 76 | 76 | 90 | 90 | 10,5 | 70 | 72 | 6 | M4 | 90 | 110 | 81,5 | 36,5 | 56 | 4 | 8 | 8 | 5,8 |
| ELF-X-108 VFD | 199 | 200 | 262,5 | 135 | 125 | 81,6 | 99 | 85 | 64 | 64 | 76 | 76 | 90 | 90 | 12,5 | 80 | 81 | 6 | M4 | 100 | 120 | 81,5 | 36,5 | 63 | 4 | 8 | 12 | 7 |
| ELF-X-120 | 218 | 222 | 263 | 150 | 138 | 96 | 107 | 95 | 81 | 80 | 96 | 96 | 114 | 114 | 10,5 | 70 | 81 | 6 | M4 | 90 | 110 | 85,5 | 45 | 56 | 4 | 8 | 8 | 5,8 |
| ELF-X-120 VFD | 218 | 222 | 280 | 150 | 138 | 96 | 107 | 95 | 81 | 80 | 96 | 96 | 114 | 114 | 12,5 | 80 | 90 | 6 | M4 | 100 | 120 | 85,5 | 45 | 63 | 4 | 8 | 12 | 7 |
| ELF-2-133 | 238 | 245 | 302 | 160 | 150 | 110 | 115 | 104 | 91 | 87 | 115 | 105 | 130 | 120 | 13 | 80 | 90 | 7 | M4 | 100 | 124 | 96,5 | 50 | 63 | 4 | 8 | 10 | 7 |
| ELF-4-133 | 238 | 245 | 273 | 160 | 150 | 110 | 115 | 104 | 91 | 87 | 115 | 105 | 130 | 120 | 10,5 | 71 | 86 | 7 | M4 | 90 | 110 | 96,5 | 50 | 56 | 4 | 8 | 8 | 5,8 |
| ELF-2-133 VFD | 238 | 245 | 293 | 160 | 150 | 110 | 115 | 104 | 91 | 87 | 115 | 105 | 130 | 120 | 12,5 | 80 | 90 | 7 | M4 | 100 | 120 | 96,5 | 50 | 63 | 4 | 8 | 12 | 7 |
| ELF-4-133 VFD | 238 | 245 | 291 | 160 | 150 | 110 | 115 | 104 | 91 | 87 | 115 | 105 | 130 | 120 | 12,5 | 80 | 95 | 7 | M4 | 100 | 120 | 96,5 | 50 | 56 | 4 | 8 | 12 | 7 |
| ELF-2-146 | 258 | 270 | 310 | 175 | 165 | 118 | 123 | 115 | 91 | 87 | 115 | 105 | 130 | 120 | 13 | 90 | 90 | 7 | M4 | 112 | 142 | 110 | 50 | 71 | 4 | 8 | 10 | 7 |
| ELF-4-146 | 258 | 270 | 268 | 175 | 165 | 118 | 123 | 115 | 91 | 87 | 115 | 105 | 130 | 120 | 10,5 | 71 | 81 | 7 | M4 | 90 | 110 | 110 | 50 | 56 | 4 | 8 | 8 | 5,8 |
| ELF-2-146 VFD | 258 | 270 | 310 | 175 | 165 | 118 | 123 | 115 | 91 | 87 | 115 | 105 | 130 | 120 | 9 | 90 | 90 | 7 | M4 | 112 | 112 | 110 | 50 | 71 | 4 | 8 | 12 | 7 |
| ELF-4-146 VFD | 258 | 270 | 285 | 175 | 165 | 118 | 123 | 115 | 91 | 87 | 115 | 105 | 130 | 120 | 12,5 | 80 | 90 | 7 | M4 | 100 | 100 | 110 | 50 | 63 | 4 | 8 | 12 | 7 |

* dimension C depends on the motor used

DIMENSIONS [mm]

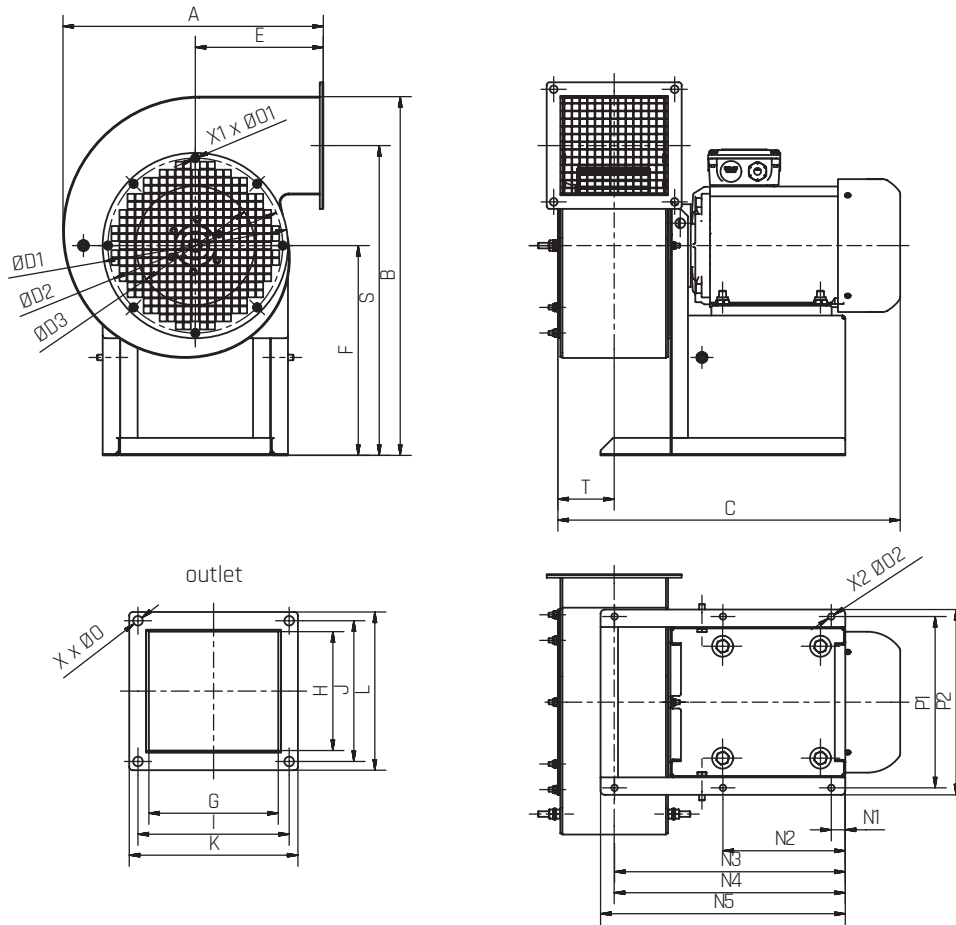


| Type | A | B | C* | ØD1 | ØD2 | ØD3 | E | F | G | H | I | J | K | L | N1 | N2 | N3 | N4 | Ø0 | Ø01 | Ø02 | P1 | P2 | S | T | X | X1 | X2 |
|---------------|-----|-----|-------|-----|-----|-----|-----|-----|-----|-----|-----|-----|-----|-----|------|-------|-----|-----|----|-----|-----|-----|-----|-----|------|---|----|----|
| ELF-2-160 | 280 | 422 | 309,5 | 194 | 180 | 130 | 132 | 252 | 90 | 107 | 110 | 120 | 126 | 140 | 12,5 | 117,5 | 130 | 200 | 7 | M5 | 9 | 232 | 251 | 367 | 49,5 | 4 | 8 | 4 |
| ELF-4-160 | 280 | 414 | 285,5 | 194 | 180 | 130 | 132 | 244 | 90 | 107 | 110 | 120 | 126 | 140 | 12,5 | 117,5 | 130 | 200 | 7 | M5 | 9 | 232 | 251 | 359 | 49,5 | 4 | 8 | 4 |
| ELF-2-160 VFD | 280 | 422 | 308,5 | 194 | 180 | 130 | 132 | 252 | 90 | 107 | 110 | 120 | 126 | 140 | 12,5 | 117,5 | 130 | 200 | 7 | M5 | 9 | 232 | 251 | 367 | 49,5 | 4 | 8 | 4 |
| ELF-4-160 VFD | 280 | 414 | 291,5 | 194 | 180 | 130 | 132 | 244 | 90 | 107 | 110 | 120 | 126 | 140 | 12,5 | 117,5 | 130 | 200 | 7 | M5 | 9 | 232 | 251 | 359 | 49,5 | 4 | 8 | 4 |
| ELF-2-180 | 312 | 452 | 335 | 220 | 205 | 150 | 145 | 261 | 100 | 122 | 130 | 130 | 155 | 155 | 12,5 | 117,5 | 130 | 220 | 7 | M5 | 9 | 232 | 251 | 390 | 55 | 4 | 8 | 4 |
| ELF-4-180 | 312 | 443 | 325 | 220 | 205 | 150 | 145 | 252 | 100 | 122 | 130 | 130 | 155 | 155 | 12,5 | 117,5 | 130 | 210 | 7 | M5 | 9 | 232 | 251 | 381 | 55 | 4 | 8 | 4 |
| ELF-2-180 VFD | 312 | 452 | 355 | 220 | 205 | 150 | 145 | 261 | 100 | 122 | 130 | 130 | 155 | 155 | 12,5 | 117,5 | 130 | 220 | 7 | M5 | 9 | 232 | 251 | 390 | 55 | 4 | 8 | 4 |
| ELF-4-180 VFD | 312 | 443 | 325 | 220 | 205 | 150 | 145 | 252 | 100 | 122 | 130 | 130 | 155 | 155 | 12,5 | 117,5 | 130 | 210 | 7 | M5 | 9 | 232 | 251 | 381 | 55 | 4 | 8 | 4 |
| ELF-2-200 | 371 | 484 | 385 | 235 | 222 | 170 | 182 | 271 | 119 | 137 | 143 | 160 | 163 | 180 | 12,5 | 157,5 | 170 | 268 | 7 | M5 | 9 | 242 | 261 | 414 | 65 | 4 | 8 | 4 |
| ELF-4-200 | 371 | 474 | 355 | 235 | 222 | 170 | 182 | 261 | 119 | 137 | 143 | 160 | 163 | 180 | 12,5 | 157,5 | 170 | 268 | 7 | M5 | 9 | 242 | 261 | 404 | 65 | 4 | 8 | 4 |
| ELF-2-200 VFD | 371 | 484 | 394 | 235 | 222 | 170 | 182 | 271 | 119 | 137 | 143 | 160 | 163 | 180 | 12,5 | 157,5 | 170 | 268 | 7 | M5 | 9 | 242 | 261 | 414 | 65 | 4 | 8 | 4 |
| ELF-4-200 VFD | 371 | 474 | 374 | 235 | 222 | 170 | 182 | 261 | 119 | 137 | 143 | 160 | 163 | 180 | 12,5 | 157,5 | 170 | 268 | 7 | M5 | 9 | 242 | 261 | 404 | 65 | 4 | 8 | 4 |

* dimension C depends on the motor used

DIMENSIONS [mm]

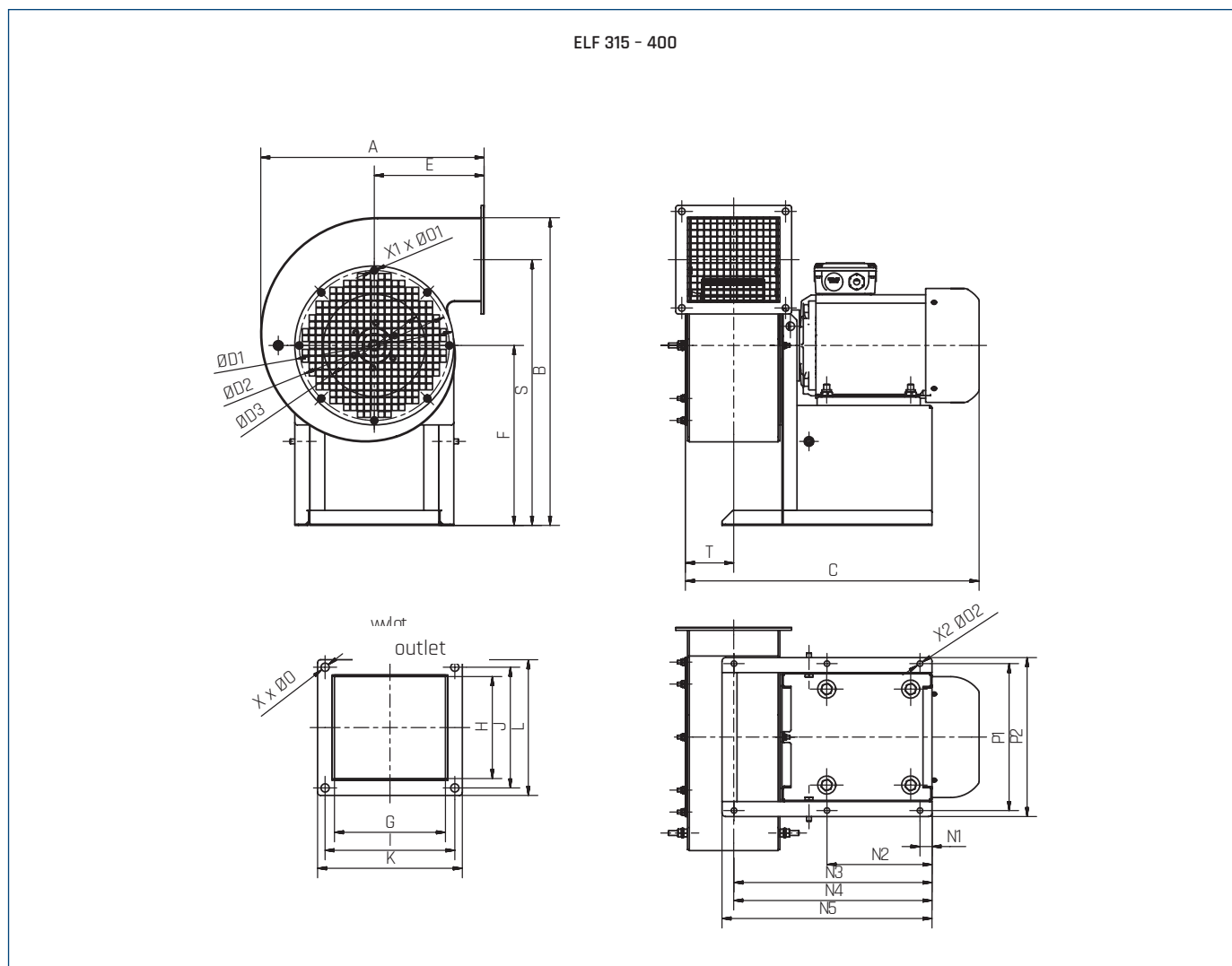
ELF 225 - 280



| Type | A | B | C* | $\varnothing D1$ | $\varnothing D2$ | $\varnothing D3$ | E | F | G | H | I | J | K | L | N1 | N2 | N3 | N4 | N5 | $\varnothing D$ | $\varnothing D1$ | $\varnothing D2$ | P1 | P2 | S | T | X | X1 | X2 |
|-------------|-------|-----|-------|------------------|------------------|------------------|-----|-----|-----|-----|-----|-----|-----|-----|----|-----|-----|-------|-----|-----------------|------------------|------------------|-----|-----|-----|------|---|----|----|
| ELF-X-225 X | 372,5 | 513 | 491,5 | 265 | 250 | 170 | 183 | 300 | 148 | 136 | 173 | 161 | 193 | 181 | 20 | 175 | 330 | 330,5 | 350 | 11 | M6 | 9 | 245 | 265 | 443 | 80,5 | 4 | 8 | 6 |
| ELF-X-250 X | 416,5 | 618 | 573,5 | 310 | 290 | 203 | 204 | 370 | 168 | 190 | 210 | 230 | 235 | 255 | 20 | 190 | 360 | 380,5 | 380 | 11 | M6 | 11 | 326 | 350 | 521 | 90 | 4 | 8 | 6 |
| ELF-X-280 X | 425 | 625 | 543,5 | 221 | 310 | 330 | 207 | 370 | 135 | 174 | 177 | 214 | 202 | 239 | 20 | 190 | 360 | 364 | 380 | 11 | M6 | 11 | 326 | 350 | 536 | 73,5 | 4 | 8 | 6 |

* dimension C depends on the motor used

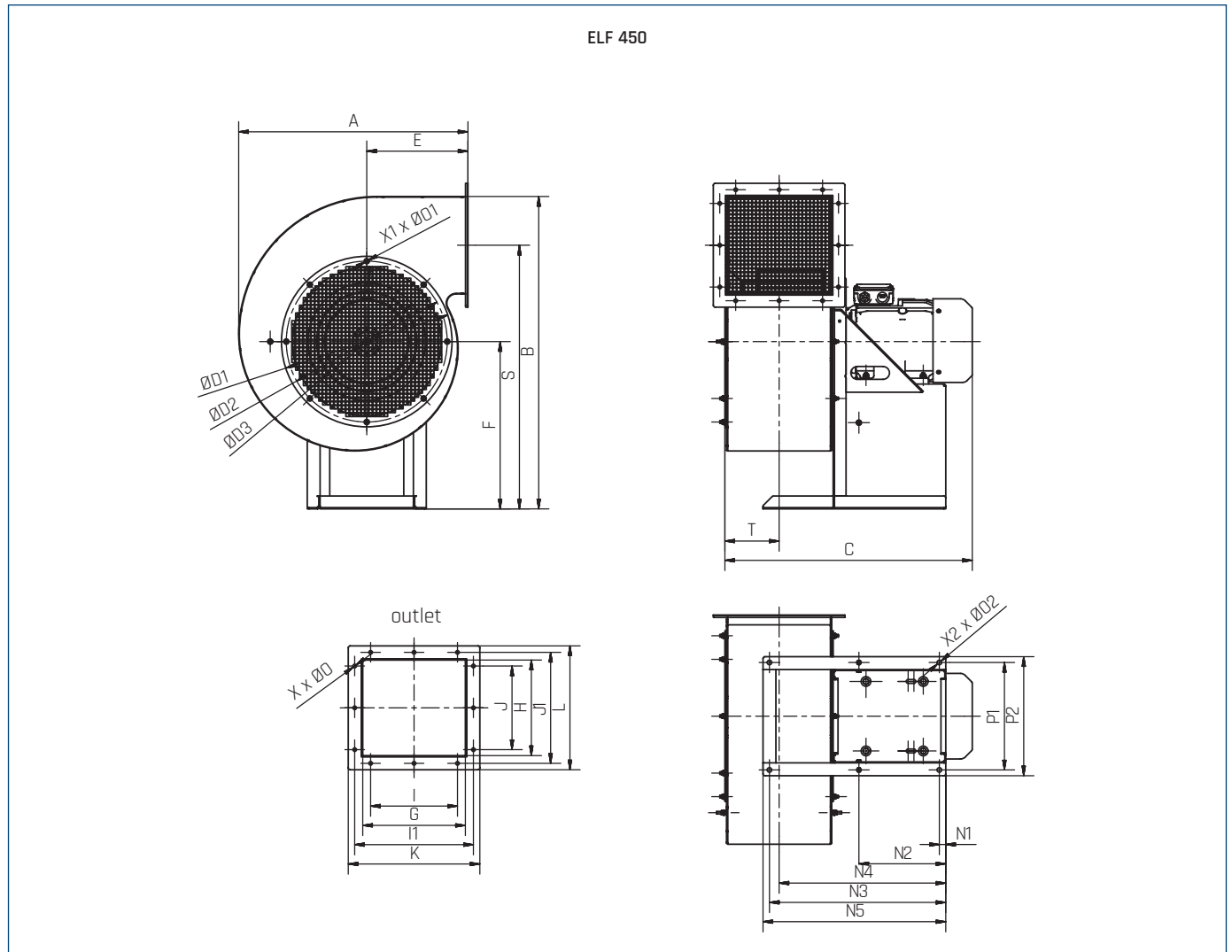
DIMENSIONS [mm]



| Type | A | B | C* | ØD1 | ØD2 | ØD3 | E | F | G | H | I | J | K | L | N1 | N2 | N3 | N4 | N5 | Ø0 | Ø01 | Ø02 | P1 | P2 | S | T | X | X1 | X2 |
|-------------|-------|-----|-------|-----|-----|-----|-------|-----|-----|-----|-----|-----|-----|-----|----|-----|-----|-------|-----|----|-----|-----|-----|-----|-------|-------|---|----|----|
| ELF-X-315 X | 498 | 740 | 573 | 382 | 360 | 254 | 217,5 | 400 | 230 | 240 | 271 | 281 | 305 | 315 | 25 | 210 | 395 | 402,5 | 420 | 11 | M6 | 12 | 253 | 280 | 617 | 121,5 | 8 | 8 | 6 |
| ELF-X-355 X | 579,5 | 761 | 572,5 | 410 | 390 | 287 | 260,5 | 410 | 217 | 215 | 255 | 252 | 286 | 282 | 25 | 210 | 395 | 397 | 420 | 11 | M6 | 12 | 273 | 300 | 650,5 | 115,5 | 8 | 8 | 6 |
| ELF-X-400 X | 658,5 | 948 | 739,5 | 470 | 440 | 325 | 284,5 | 520 | 289 | 274 | 332 | 315 | 366 | 349 | 30 | 260 | 490 | 503 | 540 | 11 | M8 | 14 | 394 | 430 | 808 | 153,5 | 8 | 8 | 6 |

* dimension C depends on the motor used

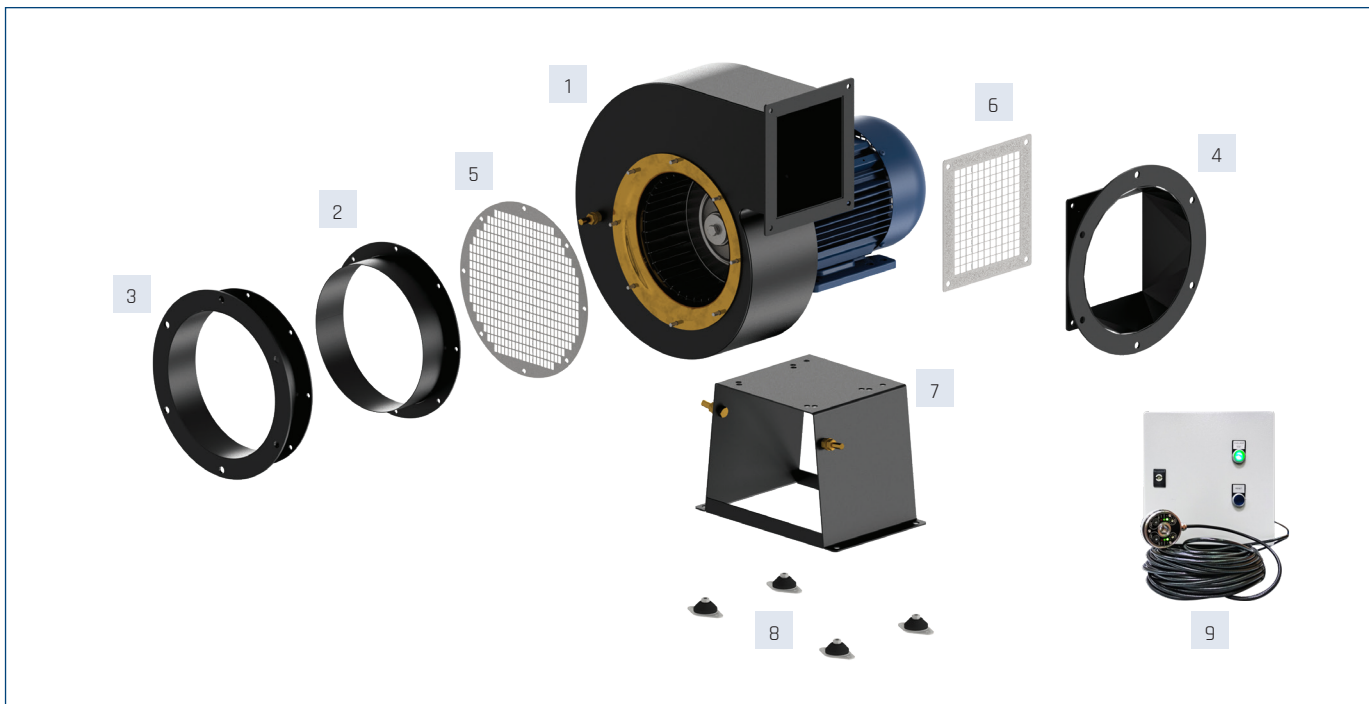
DIMENSIONS [mm]



| Type | A | B | C | ØD1 | ØD2 | ØD3 | E | F | G | H | I | I1 | J | J1 | K | L | N1 | N2 | N3 | N4 | N5 | Ø0 | Ø01 | Ø02 | P1 | P2 | S | T | X | X1 | X2 |
|-------------|-------|-----|-----|-----|-----|-----|-------|-----|-----|-----|-----|-----|-----|-----|-----|-----|----|-----|-----|-----|-----|----|-----|-----|-----|-----|-------|-------|----|----|----|
| ELF-X-450 X | 712,5 | 971 | 769 | 530 | 500 | 365 | 314,5 | 520 | 319 | 297 | 270 | 369 | 260 | 345 | 409 | 385 | 20 | 270 | 548 | 518 | 568 | 11 | M8 | 14 | 334 | 370 | 819,5 | 168,5 | 12 | 8 | 6 |

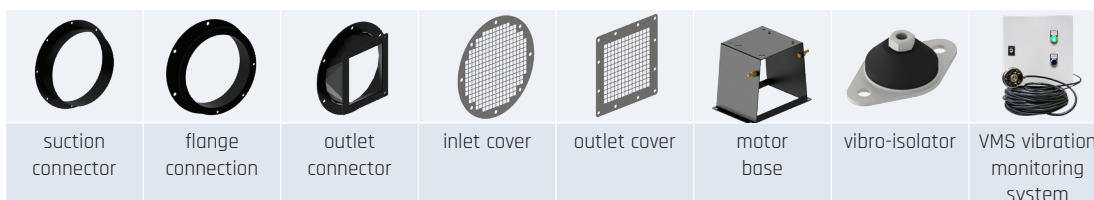
* dimension C depends on the motor used

ASSEMBLY ACCESSORIES



| Type | Suction connector | Flange connector | Outlet connector | Inlet cover (as standard) | Outlet cover (as standard) | Motor base | vibro-isolator | VMS - Vibration monitoring system for Ex zones (zones 1 and 21) with integrity level |
|---------|-------------------|------------------|------------------|---------------------------|----------------------------|-------------------------|----------------|--|
| 1 | 2 | 3 | 4 | 5 | 6 | 5 | 8 | 9 |
| ELF-97 | 25513206 | 25513207 | 45517244 | 25513205-02 | 25513209-02 | 25513202-24 | 26040960 | 40015520 |
| ELF-108 | 25513206-10 | 25513207-10 | 45517244-10 | 25513205-02 | 25513209-02 | 25513202-24 | 26040960 | 40015520 |
| ELF-120 | 25513215-10 | 25513216-10 | 45517241-10 | 25513214-10 | 25513218-10 | 25513202-24 | 26040960 | 40015520 |
| ELF-133 | 25513215-12 | 25513216-12 | 45517245 | 25513214-12 | 25513218-12 | 25513202-24 | 26040960 | 40015520 |
| ELF-146 | 25513215-14 | 25513216-14 | 45517246 | 25513214-14 | 25513218-12 | 25513651 25513202-24 | 26040960 | 40015520 |
| ELF-160 | 25513225-10 | 25513226-10 | 45517247-10 | 25513224-10 | 25513228-10 | - | 26040960 | 40015520 |
| ELF-180 | 25513235-10 | 25513236-10 | 45517243-10 | 25513234-10 | 25513238-10 | - | 26040960 | 40015520 |
| ELF-200 | 25513245 | 25513246 | 25513247 | 25513244 | 25513248 | - | 26040960 | 40015520 |
| ELF-225 | 25513255 | 25513256 | 45517251 | 25513254 | 25513258 | - | 26040960 | 40015520 |
| ELF-250 | 25513265 | 25513266 | 25513267 | 25513264 | 25513268 | - | 26040965 | 40015520 |
| ELF-280 | 25513300 | 25513301 | 25513302 | 25513633 | 25513634 | - | 26040965 | 40015520 |
| ELF-315 | 25513275 | 25513276 | 45517253 | 25513274 | 25513278 | - | 26040965 | 40015520 |
| ELF-355 | 25513305 | 25513306 | 25513307 | 25513615 | 25513614 | - | 26040965 | 40015520 |
| ELF-400 | 25513285 | 25513286 | 45517254 | 25513284 | 25513288 | - | 26040965 | 40015520 |
| ELF-450 | 25513295 | 25513296 | 45517255 | 25513294 | 25513298 | - | 26040965 | 40015520 |

accessories for fans made of carbon steel, accessories for stainless versions on request



ELECTRICAL ACCESSORIES

| Fan | Service switch | ATEX safety switch | Inverter | UEK-230 |
|----------------|-------------------|------------------------|-----------|----------|
| ELF-2-97T | R-S 3-F + SP, 16A | R-B 3-F ATEX + SP, 10A | | |
| ELF-2-97T VFD | R-S 3-F + SP, 16A | R-B 3-F ATEX + SP, 10A | L 0,4 kW | U-EK230E |
| ELF-4-97T | R-S 3-F + SP, 16A | R-B 3-F ATEX + SP, 10A | | |
| ELF-4-97T VFD | R-S 3-F + SP, 16A | R-B 3-F ATEX + SP, 10A | L 0,4 kW | U-EK230E |
| ELF-2-108T | R-S 3-F + SP, 16A | R-B 3-F ATEX + SP, 10A | | |
| ELF-2-108T VFD | R-S 3-F + SP, 16A | R-B 3-F ATEX + SP, 10A | L 0,4 kW | U-EK230E |
| ELF-4-108T | R-S 3-F + SP, 16A | R-B 3-F ATEX + SP, 10A | | |
| ELF-4-108T VFD | R-S 3-F + SP, 16A | R-B 3-F ATEX + SP, 10A | L 0,4 kW | U-EK230E |
| ELF-2-120T | R-S 3-F + SP, 16A | R-B 3-F ATEX + SP, 10A | | |
| ELF-2-120T VFD | R-S 3-F + SP, 16A | R-B 3-F ATEX + SP, 10A | L 0,4 kW | U-EK230E |
| ELF-4-120T | R-S 3-F + SP, 16A | R-B 3-F ATEX + SP, 10A | | |
| ELF-4-120T VFD | R-S 3-F + SP, 16A | R-B 3-F ATEX + SP, 10A | L 0,4 kW | U-EK230E |
| ELF-2-133T | R-S 3-F + SP, 16A | R-B 3-F ATEX + SP, 10A | | |
| ELF-2-133T | R-S 3-F + SP, 16A | R-B 3-F ATEX + SP, 10A | | |
| ELF-2-133T VFD | R-S 3-F + SP, 16A | R-B 3-F ATEX + SP, 10A | L 0,4 kW | U-EK230E |
| ELF-2-133T VFD | R-S 3-F + SP, 16A | R-B 3-F ATEX + SP, 10A | L 0,4 kW | U-EK230E |
| ELF-4-133T | R-S 3-F + SP, 16A | R-B 3-F ATEX + SP, 10A | | |
| ELF-4-133T VFD | R-S 3-F + SP, 16A | R-B 3-F ATEX + SP, 10A | L 0,4 kW | U-EK230E |
| ELF-2-146T | R-S 3-F + SP, 16A | R-B 3-F ATEX + SP, 10A | | |
| ELF-2-146T VFD | R-S 3-F + SP, 16A | R-B 3-F ATEX + SP, 10A | L 0,75 kW | U-EK230E |
| ELF-4-146T | R-S 3-F + SP, 16A | R-B 3-F ATEX + SP, 10A | | |
| ELF-4-146T VFD | R-S 3-F + SP, 16A | R-B 3-F ATEX + SP, 10A | L 0,4 kW | U-EK230E |
| ELF-2-160T | R-S 3-F + SP, 16A | R-B 3-F ATEX + SP, 10A | | |
| ELF-2-160T | R-S 3-F + SP, 16A | R-B 3-F ATEX + SP, 10A | | |
| ELF-2-160T VFD | R-S 3-F + SP, 16A | R-B 3-F ATEX + SP, 10A | L 0,75 kW | U-EK230E |
| ELF-2-160T VFD | R-S 3-F + SP, 16A | R-B 3-F ATEX + SP, 10A | L 0,75 kW | U-EK230E |
| ELF-4-160T | R-S 3-F + SP, 16A | R-B 3-F ATEX + SP, 10A | | |
| ELF-4-160T VFD | R-S 3-F + SP, 16A | R-B 3-F ATEX + SP, 10A | L 0,4 kW | U-EK230E |
| ELF-2-180T | R-S 3-F + SP, 16A | R-B 3-F ATEX + SP, 10A | | |
| ELF-2-180T VFD | R-S 3-F + SP, 16A | R-B 3-F ATEX + SP, 10A | L 0,75 kW | U-EK230E |
| ELF-4-180T | R-S 3-F + SP, 16A | R-B 3-F ATEX + SP, 10A | | |
| ELF-4-180T VFD | R-S 3-F + SP, 16A | R-B 3-F ATEX + SP, 10A | L 0,4 kW | U-EK230E |
| ELF-2-200T | R-S 3-F + SP, 16A | R-B 3-F ATEX + SP, 10A | | |
| ELF-2-200T VFD | R-S 3-F + SP, 16A | R-B 3-F ATEX + SP, 10A | L 1,5 kW | U-EK230E |
| ELF-4-200T | R-S 3-F + SP, 16A | R-B 3-F ATEX + SP, 10A | | |
| ELF-4-200T VFD | R-S 3-F + SP, 16A | R-B 3-F ATEX + SP, 10A | L 0,75 kW | U-EK230E |
| ELF-2-225T | R-S 3-F + SP, 16A | R-B 3-F ATEX + SP, 10A | | |
| ELF-2-225T VFD | R-S 3-F + SP, 16A | R-B 3-F ATEX + SP, 10A | L 0,4 kW | U-EK230E |
| ELF-4-225T | R-S 3-F + SP, 16A | R-B 3-F ATEX + SP, 10A | | |
| ELF-4-225T VFD | R-S 3-F + SP, 16A | R-B 3-F ATEX + SP, 10A | L 0,75 kW | U-EK230E |
| ELF-2-250T | R-S 3-F + SP, 16A | R-B 3-F ATEX + SP, 20A | | |
| ELF-2-250T VFD | R-S 3-F + SP, 16A | R-B 3-F ATEX + SP, 20A | L 5,5 kW | U-EK230E |
| ELF-4-250T | R-S 3-F + SP, 16A | R-B 3-F ATEX + SP, 10A | | |
| ELF-4-250T VFD | R-S 3-F + SP, 16A | R-B 3-F ATEX + SP, 10A | L 0,75 kW | U-EK230E |
| ELF-2-280T | R-S 3-F + SP, 16A | R-B 3-F ATEX + SP, 20A | | |
| ELF-2-280T VFD | R-S 3-F + SP, 16A | R-B 3-F ATEX + SP, 20A | L 5,5 kW | U-EK230E |
| ELF-4-280T | R-S 3-F + SP, 16A | R-B 3-F ATEX + SP, 10A | | |
| ELF-4-280T VFD | R-S 3-F + SP, 16A | R-B 3-F ATEX + SP, 10A | L 1,5 kW | U-EK230E |
| ELF-4-315T | R-S 3-F + SP, 16A | R-B 3-F ATEX + SP, 10A | | |
| ELF-4-315T VFD | R-S 3-F + SP, 16A | R-B 3-F ATEX + SP, 10A | L 0,4 kW | U-EK230E |
| ELF-6-315T | R-S 3-F + SP, 16A | R-B 3-F ATEX + SP, 10A | | |
| ELF-6-315T VFD | R-S 3-F + SP, 16A | R-B 3-F ATEX + SP, 10A | L 0,75 kW | U-EK230E |
| ELF-4-355T | R-S 3-F + SP, 16A | R-B 3-F ATEX + SP, 10A | | |
| ELF-4-355T VFD | R-S 3-F + SP, 16A | R-B 3-F ATEX + SP, 10A | L 5,5 kW | U-EK230E |
| ELF-6-355T | R-S 3-F + SP, 16A | R-B 3-F ATEX + SP, 10A | | |

ELECTRICAL ACCESSORIES

| Fan | Service switch | ATEX safety switch | Inverter | UEK-230 |
|----------------|-------------------|------------------------|----------|----------|
| ELF-6-355T VFD | R-S 3-F + SP, 16A | R-B 3-F ATEX + SP, 10A | L 2,2 kW | U-EK230E |
| ELF-4-400T | R-S 3-F + SP, 16A | R-B 3-F ATEX + SP, 20A | | |
| ELF-4-400T VFD | R-S 3-F + SP, 16A | R-B 3-F ATEX + SP, 20A | L 7,5kW | U-EK230E |
| ELF-6-400T | R-S 3-F + SP, 16A | R-B 3-F ATEX + SP, 10A | | |
| ELF-6-400T VFD | R-S 3-F + SP, 16A | R-B 3-F ATEX + SP, 10A | L 2,2 kW | U-EK230E |
| ELF-6-450T | R-S 3-F + SP, 16A | R-B 3-F ATEX + SP, 20A | | |
| ELF-6-450T VFD | R-S 3-F + SP, 16A | R-B 3-F ATEX + SP, 20A | L 7,5kW | U-EK230E |

Article numbers

| | | | | | | | | | |
|-----------------------|-------------|-----------------------|-------------|------------------------|----------|------------------------|----------|--------------------|----------|
| R-S 3-F + SP, 10A | 91040908-01 | R-S 1-F + SP, 16A | 91040907-02 | R-S 3-F + SP, 16A | 91040908 | R-S 3-F + SP, 25A | 91040910 | R-S 3-F + SP, 40A | 91040924 |
| R-S 3-F + SP, 6B, 25A | 91040911 | R-S 3-F + SP, 6B, 40A | 91040911-02 | R-B 3-F ATEX + SP, 10A | 44025761 | R-B 3-F ATEX + SP, 20A | 44025762 | GEAR SWITCH 0/Y/YY | 91040913 |
| L 0,4 kW | 40016302 | L 0,75 kW | 40016312 | L 1,5 kW | 40016322 | L 2,2 kW | 40016332 | L 4,0 kW | 40016352 |
| L 5,5 kW | 40016362 | L 7,5kW | 40016372 | U-EK230E | 91040858 | | | | |

