

### APPLICATION

EGT fans comply with the requirements of ATEX Directive 2014/34/UE, are designed for use in hazard zones excluding mines and mining pits, meets the requirements of group II category 2G/3G - zone 1 and/or 2 and category 2D/3D - zone 21 and/or 22.

### ATEX marking:

II 2G Ex h IIB T3 Gb Iub II 2D Ex h IIIC T125°C Db  
II 2G Ex h IIB T4 Gb on request

### CONSTRUCTION

- medium-pressure centrifugal fan with direct drive,
- the impeller is made of aluminium alloy (fans of 2G category), or welded of steel sheet (fans of 2D category) , provided with straight blades is dynamically balanced to ISO 1940-1,
- welded sheet steel housing,
- fan stand from model 60 to 300,
- motor support form model 400 to 800,
- galvanized protective mesh at the inlet and outlet,
- painted in RAL 9005 (corrosivity category C3),
- maximum medium temperature 60°C,
- ambient temperature range from -20°C do +40°C,
- figure LG270.

### MOTOR

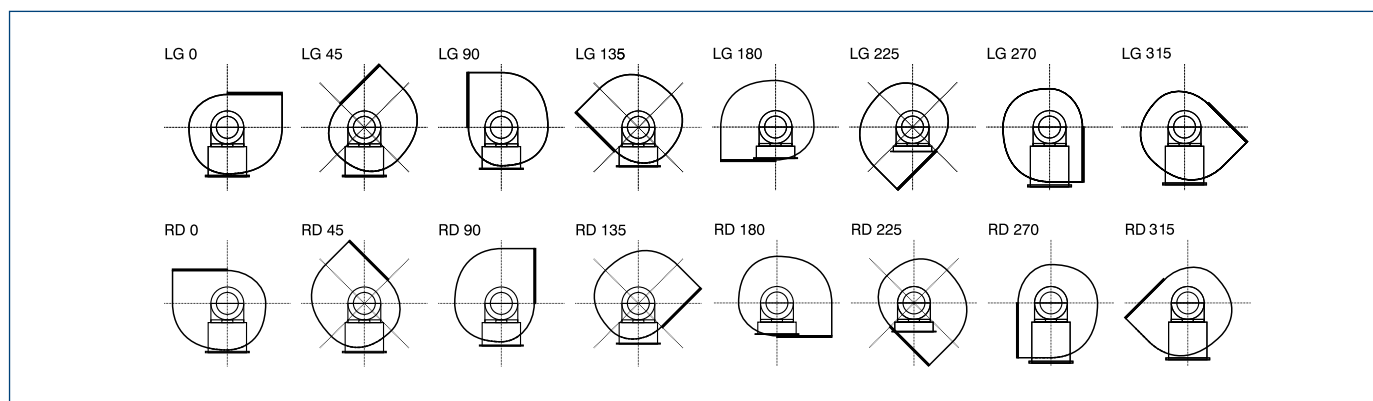
- explosionproof, asynchronous, three-phase, 230/400V 50Hz, 400/690V 50Hz,
- single-speed, 2 or 4 poles,
- degree of protection IP55 (fans of 2G category),
- degree of protection IP65 or IP66 (fans of 2D category, depending on the model),
- degree of protection IP66 (fans of 2G and 2D category suitable for frequency regulation),
- insulation class F,
- thermal protection PTC (depending on the model or motors suitable for frequency regulation),
- VFD models suitable for frequency regulation.

### ON REQUEST

- different positions LG/RD,
- painting in a different color,
- impeller, housing and support made of stainless steel 1.4301,
- impeller, housing and support made of acid-proof steel 1.4404,
- different motor voltage and frequency,
- different motor degree of protection,
- motor equipped with sensors.



### FIGURES



TECHNICAL CHARACTERISTICS

Type	airflow max	pressure max	rated power	speed	maximum absorbed current	voltage	supply frequency	sound pressure level*	weight	article number
	[m³/h]	[Pa]	[kW]	[r.p.m.]	[A]	[V]	[Hz]	[dB(A)]	[kg]	
<b>II 2G Ex h IIB T3 Gb</b>										
EGT-2-60T	750	1300	0,37	2780	1,75/1,0	230/400	50	74	17,6	45521000
EGT-2-60T VFD	750	1300	0,37	2900	2,1/1,2	230/400	50	74	20,1	425521004
EGT-4-60T	375	325	0,25	1370	1,5/0,85	230/400	50	59	17,4	45521001
EGT-2-80T	1155	1235	0,55	2800	2,6/1,5	230/400	50	75	19,7	45521010
EGT-2-80T VFD	1155	1235	0,55	2840	2,5/1,45	230/400	50	75	21,2	425521014
EGT-4-80T	785	310	0,25	1370	1,5/0,85	230/400	50	60	18,5	45521011
EGT-2-100T	1290	1845	0,75	2710	3,1/1,8	230/400	50	79	24	45521020
EGT-2-100T VFD	1290	1845	0,75	2870	3,4/2,0	230/400	50	79	26,2	435521024
EGT-4-100T	795	460	0,55	1360	2,6/1,5	230/400	50	64	24	45521021
EGT-2-130T	1400	2000	1,1	2730	4,2/2,4	230/400	50	80	25,4	45521030
EGT-2-130T VFD	1400	2000	1,1	2830	4,5/2,6	230/400	50	80	26,3	435521034
EGT-4-130T	850	500	0,55	1360	2,6/1,5	230/400	50	65	24,1	45521031
EGT-2-200T	1680	1925	1,1	2730	4,2/2,4	230/400	50	81	35	45521040
EGT-2-200T VFD	1680	1925	1,1	2830	4,5/2,6	230/400	50	81	35,9	435521044
EGT-4-200T	1045	480	0,55	1360	2,6/1,5	230/400	50	66	33,7	45521041
EGT-2-250T	2230	2250	2,2	2860	8,1/4,7	230/400	50	82	44,4	45521050
EGT-2-250T VFD	2230	2250	2,2	2860	8,6/5,0	230/400	50	82	44	435521054
EGT-4-250T	1100	560	1,1	1405	2,7	400	50	67	41,2	45521051
EGT-2-300T	2710	2315	2,2	2860	8,1/4,7	230/400	50	82	45,5	45521060
EGT-2-300T VFD	2710	2315	2,2	2860	8,6/5,0	230/400	50	82	45,1	435521064
EGT-4-300T	1605	580	1,1	1405	2,7	400	50	67	42,3	45521061
EGT-2-400T	3395	2250	3	2900	11,7/6,8	230/400	50	84	59,6	45521070
EGT-2-400T VFD	3395	2250	3	2840	11,4/6,6	230/400	50	84	61,6	435521074
EGT-4-400T	1795	565	2,2	1425	9,0/5,2	230/400	50	69	63,5	45521071
EGT-2-500T	5185	2085	4	2875	7,5	400	50	85	80,3	45521080
EGT-2-500T VFD	5185	2085	4	2900	15,9/9,2	230/400	50	85	75,3	435521084
EGT-4-500T	2590	520	2,2	1425	9,0/5,2	230/400	50	70	69,2	45521081
EGT-2-600T	6245	2310	5,5	2915	10,4	400	50	88	105,9	45521090
EGT-2-600T VFD	6245	2310	5,5	2910	11,5/6,6	400/690	50	88	93,9	435521094
EGT-4-600T	3120	580	2,2	1425	9,0/5,2	230/400	50	73	70,8	45521091
EGT-2-700T	6865	3130	7	2920	12,7	400	50	91	164,7	45521100
EGT-2-700T VFD	6865	3130	7,5	2920	15,3/8,8	400/690	50	91	136,7	435521104
EGT-4-700T	4050	780	2,2	1425	9,0/5,2	230/400	50	76	110,6	45521101
EGT-2-750T	10200	2590	11	2920	20,1	400	50	92	187,6	45521110
EGT-2-750T VFD	10200	2590	11	2900	21,0/12,1	400/690	50	92	201,6	435521114
EGT-4-750T	5250	650	3	1415	11,9/6,9	230/400	50	77	110,6	45521111
EGT-2-800T	11365	2565	16	2940	28,3	400	50	93	218,7	45521120
EGT-2-800T VFD	11365	2565	15	2930	28,0/16,1	400/690	50	93	206,7	435521124
EGT-4-800T	5930	640	4	1430	8,3	400	50	78	119,7	45521121

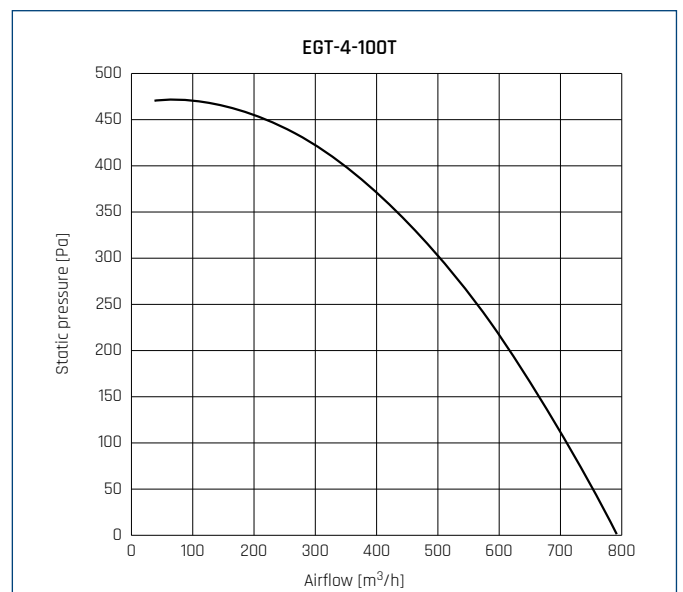
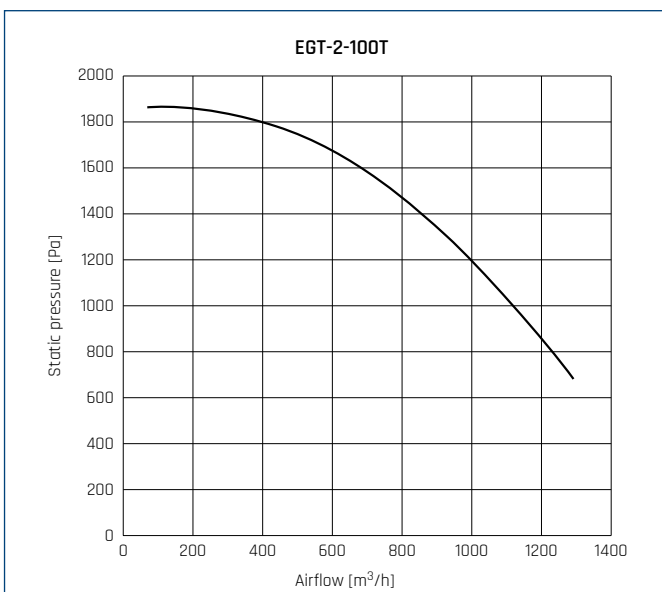
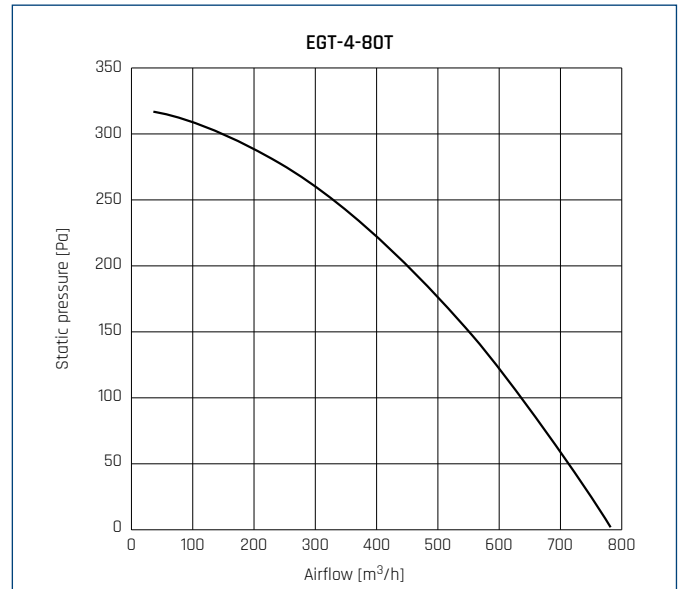
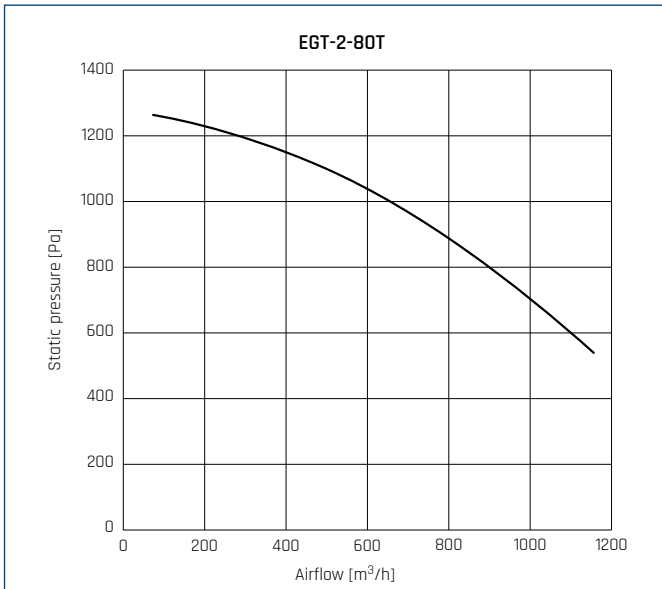
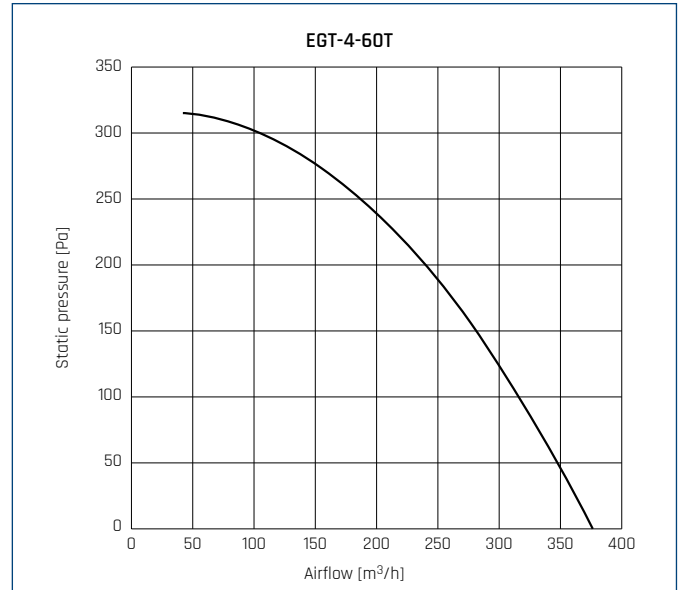
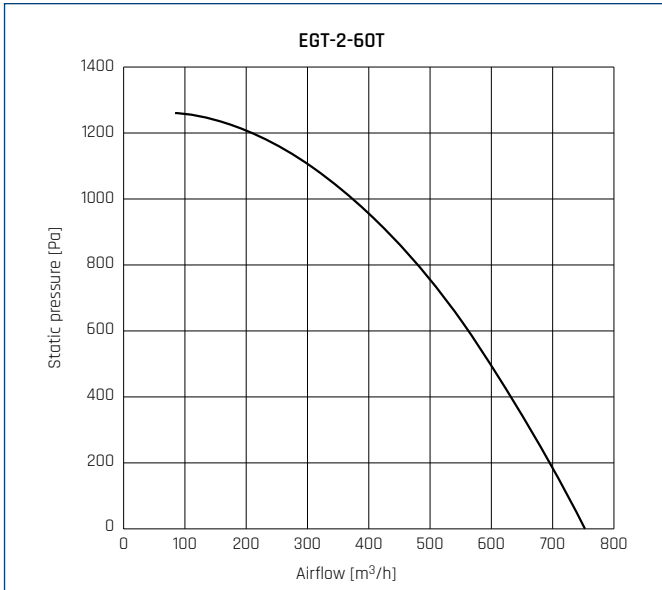
\* sound pressure measured at a distance of 1,5m from the fan at  $q=2/3 \cdot Q_{max}$ .

TECHNICAL CHARACTERISTICS

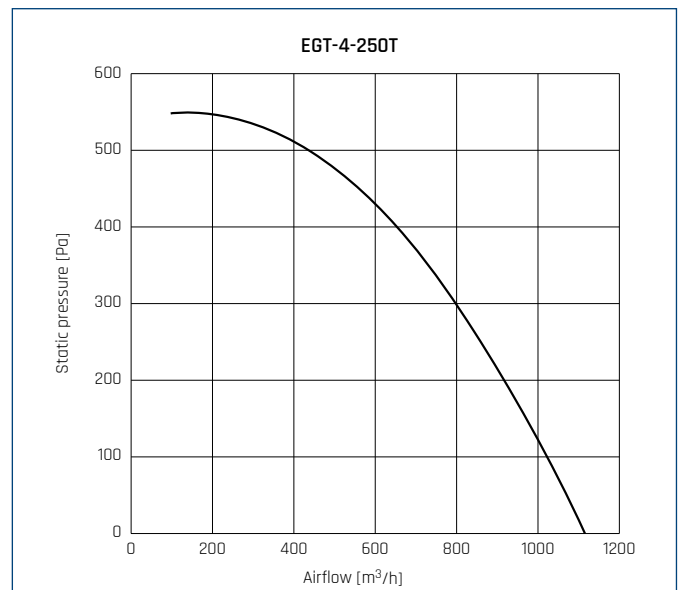
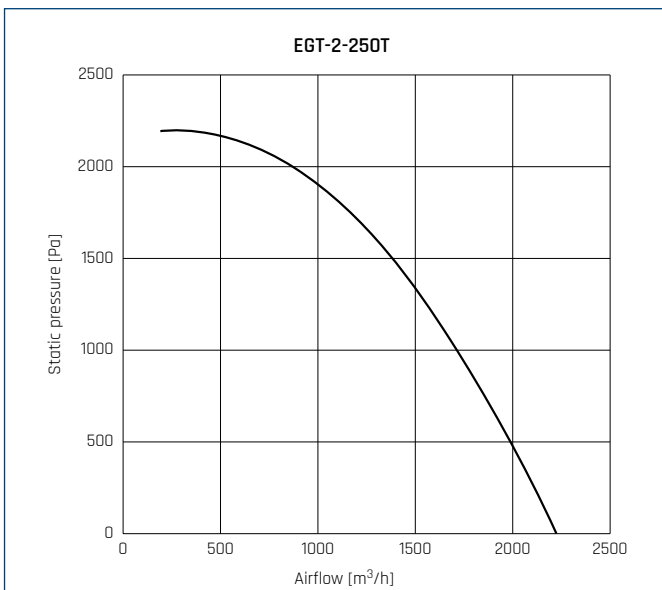
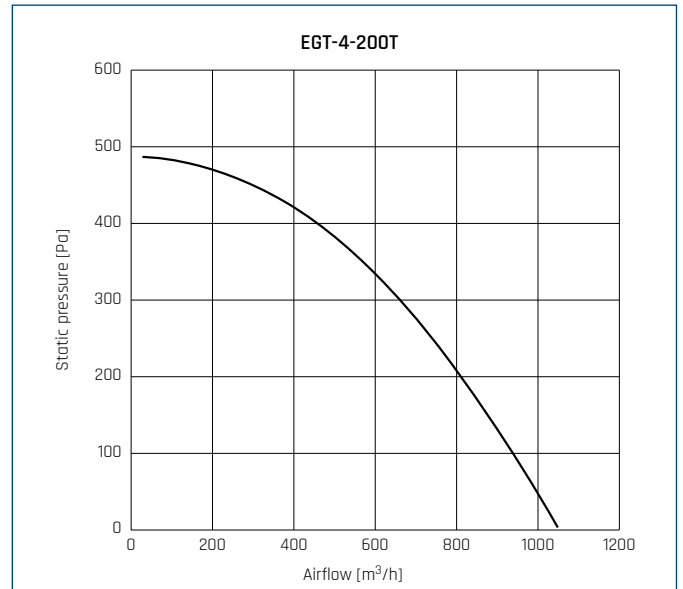
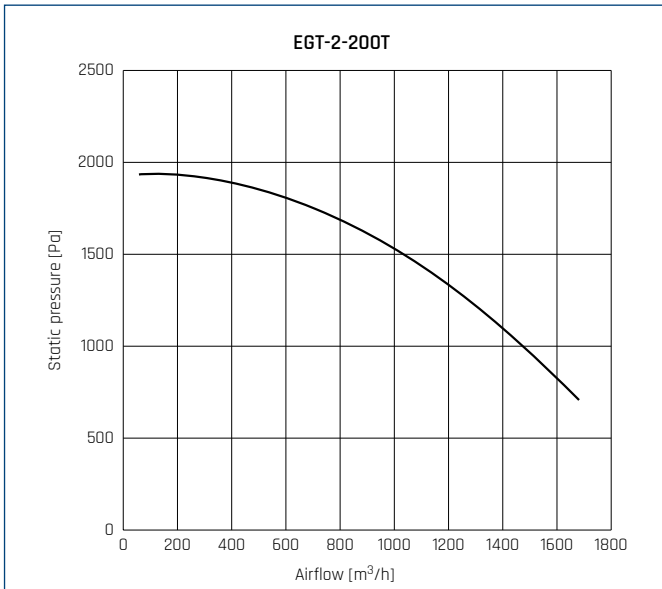
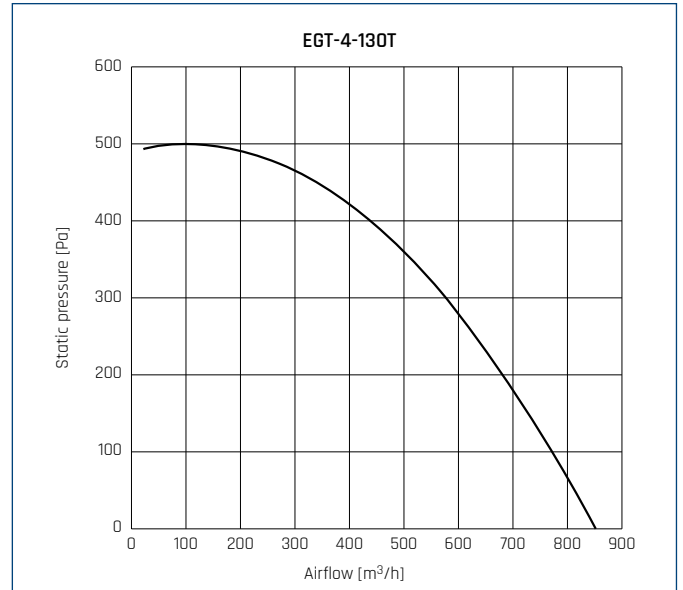
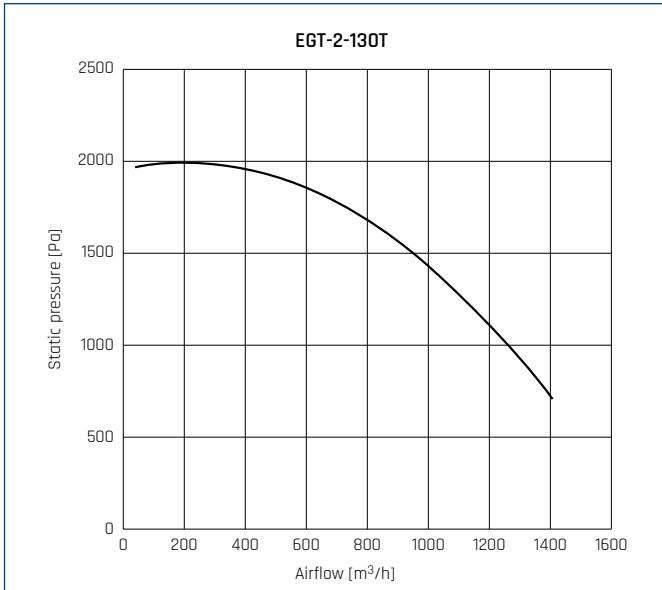
Type	airflow max	pressure max	rated power	speed	maximum absorbed current	voltage	supply frequency	sound pressure level*	weight	article number
	[m³/h]	[Pa]	[kW]	[r.p.m.]	[A]	[V]	[Hz]	[dB(A)]	[kg]	
<b>II 2D Ex h IIC T125°C Db</b>										
EGT-2-60T	750	1300	0,37	2780	1,75/1,0	230/400	50	74	21,5	45521002
EGT-2-60T VFD	750	1300	0,37	2900	2,1/1,2	230/400	50	74	24	425521005
EGT-4-60T	375	325	0,25	1370	1,5/0,85	230/400	50	59	21,3	45521003
EGT-2-80T	1155	1235	0,55	2800	2,6/1,5	230/400	50	75	23,6	45521012
EGT-2-80T VFD	1155	1235	0,55	2840	2,5/1,45	230/400	50	75	25,1	425521015
EGT-4-80T	785	310	0,25	1370	1,5/0,85	230/400	50	60	22,4	45521013
EGT-2-100T	1290	1845	0,75	2710	3,1/1,8	230/400	50	79	29,6	45521022
EGT-2-100T VFD	1290	1845	0,75	2870	3,4/2,0	230/400	50	79	31,8	435521025
EGT-4-100T	795	460	0,55	1360	2,6/1,5	230/400	50	64	29,6	45521023
EGT-2-130T	1400	2000	1,1	2730	4,2/2,4	230/400	50	80	31,2	45521032
EGT-2-130T VFD	1400	2000	1,1	2830	4,5/2,6	230/400	50	80	32,1	435521035
EGT-4-130T	850	500	0,55	1360	2,6/1,5	230/400	50	65	29,9	45521033
EGT-2-200T	1680	1925	1,1	2730	4,2/2,4	230/400	50	81	41,3	45521042
EGT-2-200T VFD	1680	1925	1,1	2830	4,5/2,6	230/400	50	81	42,2	435521045
EGT-4-200T	1040	480	0,55	1360	2,6/1,5	230/400	50	66	40	45521043
EGT-2-250T	2230	2250	2,2	2860	8,1/4,7	230/400	50	82	50,7	45521052
EGT-2-250T VFD	2230	2250	2,2	2860	8,6/5,0	230/400	50	82	50,3	435521055
EGT-4-250T	1100	560	1,1	1405	2,7	400	50	67	47,5	45521053
EGT-2-300T	2710	2315	2,2	2860	8,1/4,7	230/400	50	82	51,5	45521062
EGT-2-300T VFD	2710	2315	2,2	2860	8,6/5,0	230/400	50	82	51,1	435521065
EGT-4-300T	1605	580	1,1	1405	2,7	400	50	67	48,3	45521063
EGT-2-400T	3395	2250	3	2900	22,7/6,8	230/400	50	84	63,7	45521072
EGT-2-400T VFD	3395	2250	3	2840	11,4/6,6	230/400	50	84	65,7	435521065
EGT-4-400T	1795	565	2,2	1425	9,0/5,2	230/400	50	69	67,6	45521073
EGT-2-500T	5185	2085	4	2875	7,5	400	50	85	86,5	45521082
EGT-2-500T VFD	5185	2085	4	2900	15,9/9,2	230/400	50	70	81,5	435521085
EGT-4-500T	2590	520	2,2	1425	9,0/5,2	230/400	50	70	75,4	45521083
EGT-2-600T	6245	2310	5,5	2915	10,4	400	50	88	111,6	45521092
EGT-2-600T VFD	6245	2310	5,5	2910	11,5/6,6	400/690	50	88	99,6	435521095
EGT-4-600T	3120	580	2,2	1425	9,0/5,2	230/400	50	73	76,5	45521093
EGT-2-700T	6865	3130	7	2920	20,1	400	50	74	171,2	45521102
EGT-2-700T VFD	6865	3130	7,5	2920	15,3/8,8	400/690	50	74	148,2	435521105
EGT-4-700T	4050	780	2,2	1425	9,0/5,2	230/400	50	76	122,1	45521103
EGT-2-750T	10200	2590	11	2920	20,1	400	50	92	201,1	45521112
EGT-2-750T VFD	10200	2590	11	2900	21,0/12,1	400/690	50	92	215,1	435521115
EGT-4-750T	5050	650	3	1415	11,9/6,9	230/400	50	77	124,1	45521113
EGT-2-800T	11365	2565	15	2940	26,5	400	50	93	215,2	45521122
EGT-2-800T VFD	11365	2565	15	2930	28,0/16,1	400/690	50	93	220,2	435521125
EGT-4-800T	5930	640	4	1430	8,3	400	50	78	133,2	45521123

\* sound pressure measured at a distance of 1,5m from the fan at q=2/3\*Qmax.

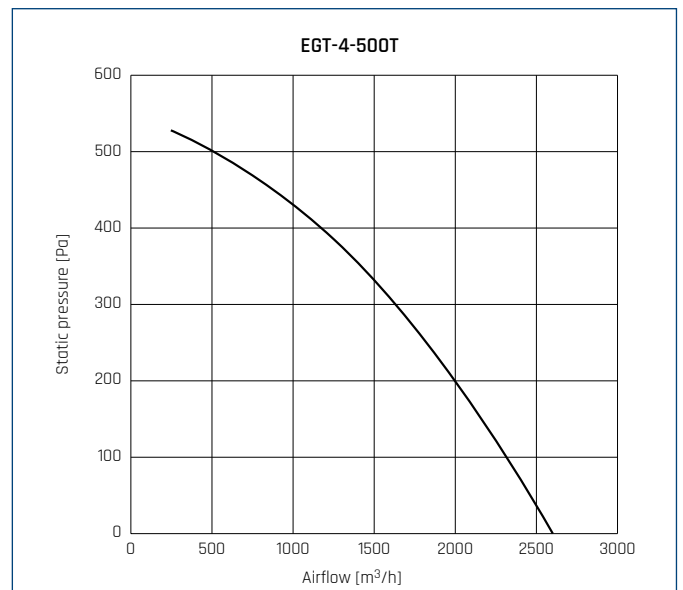
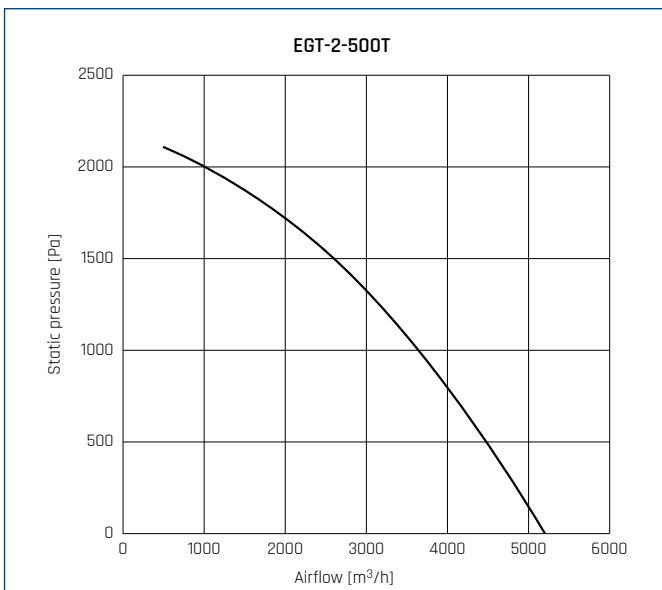
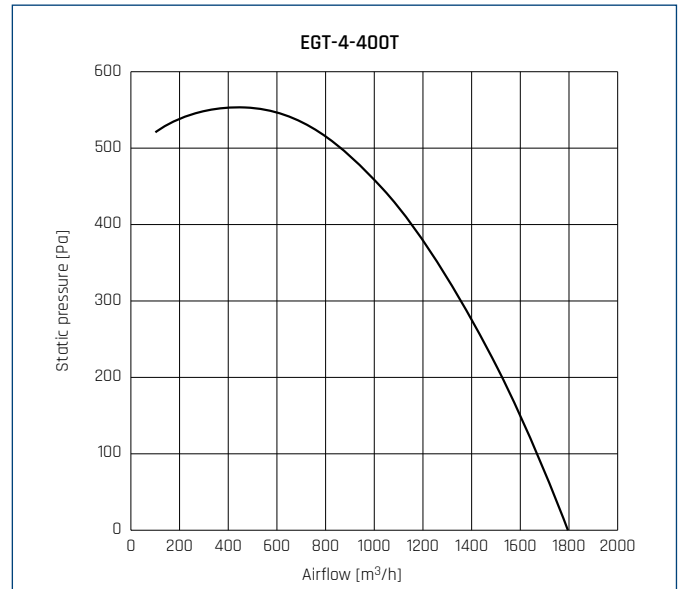
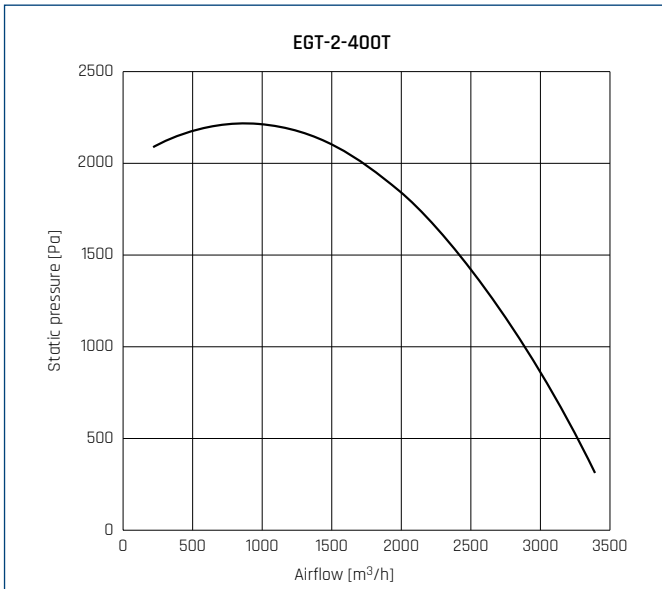
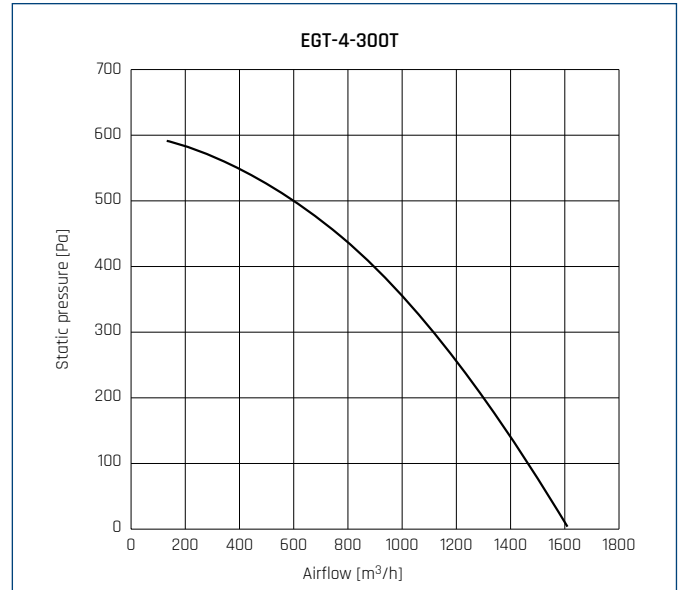
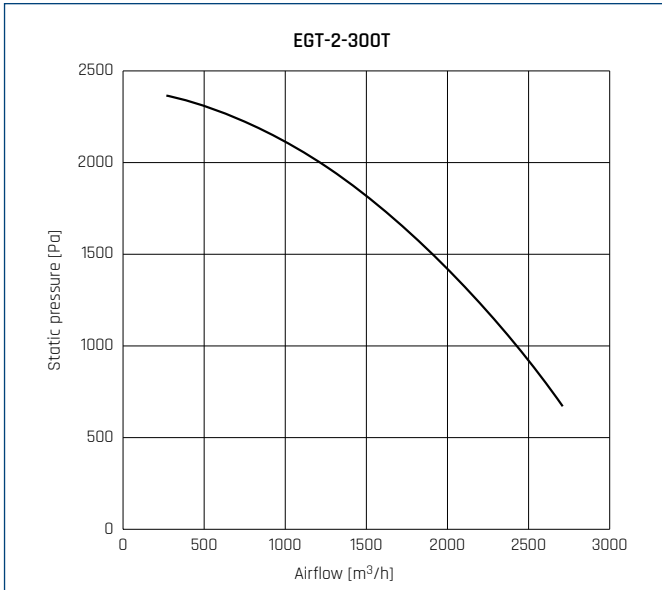
PERFORMANCE CURVES



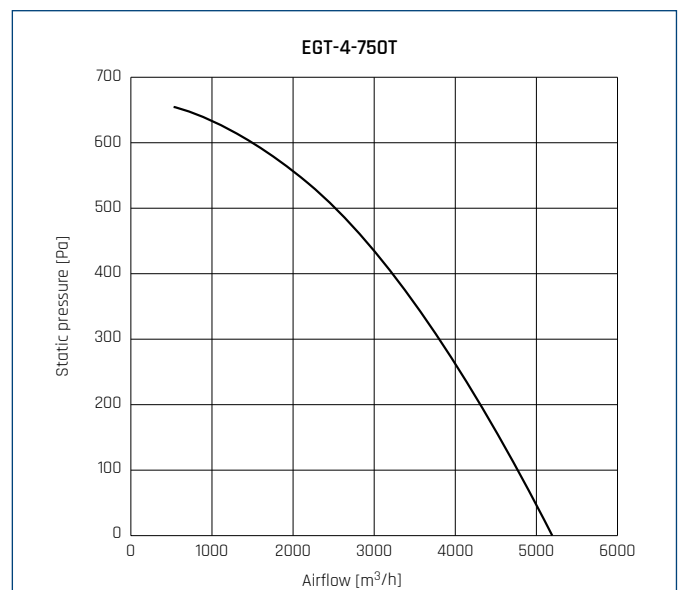
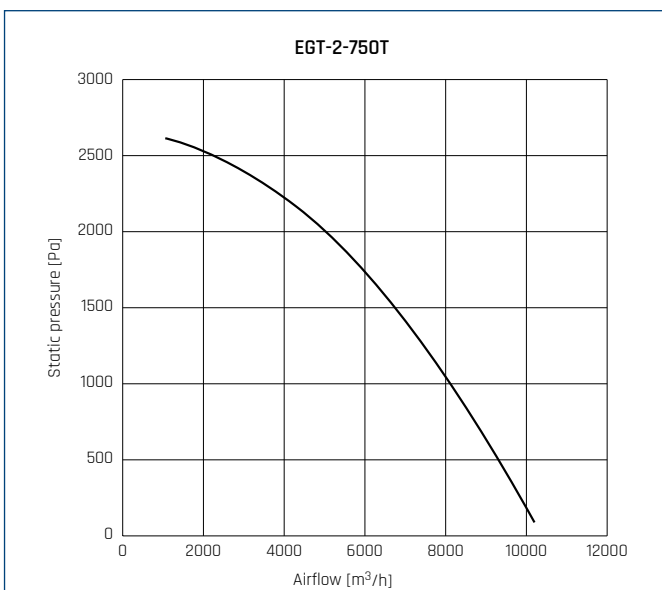
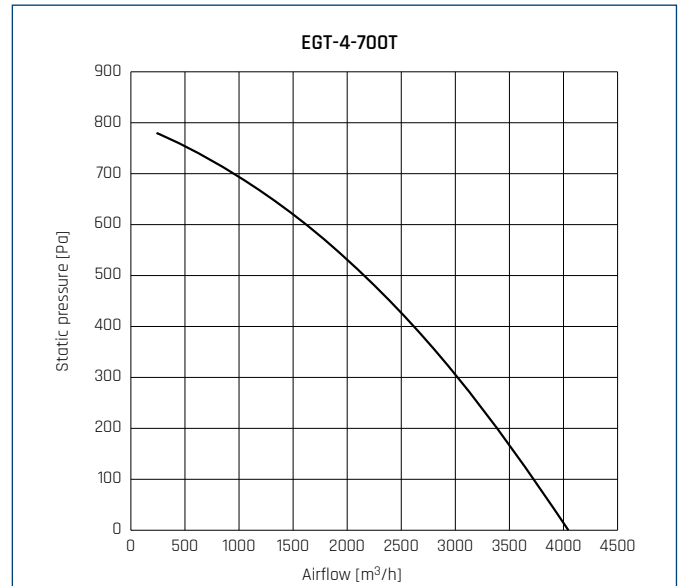
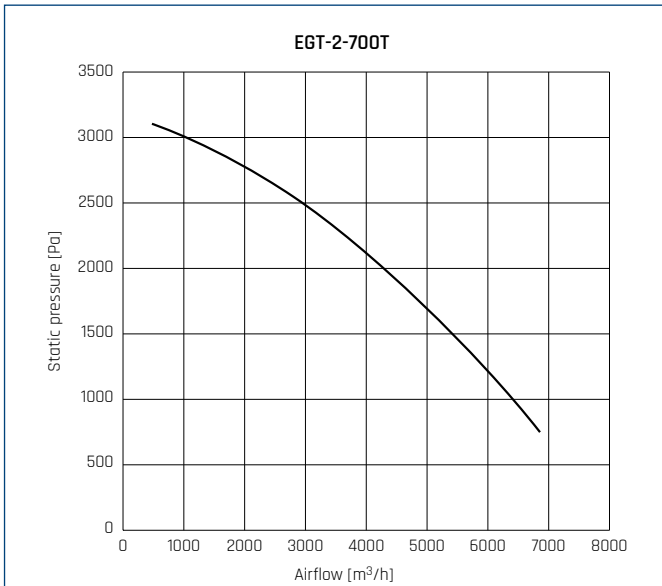
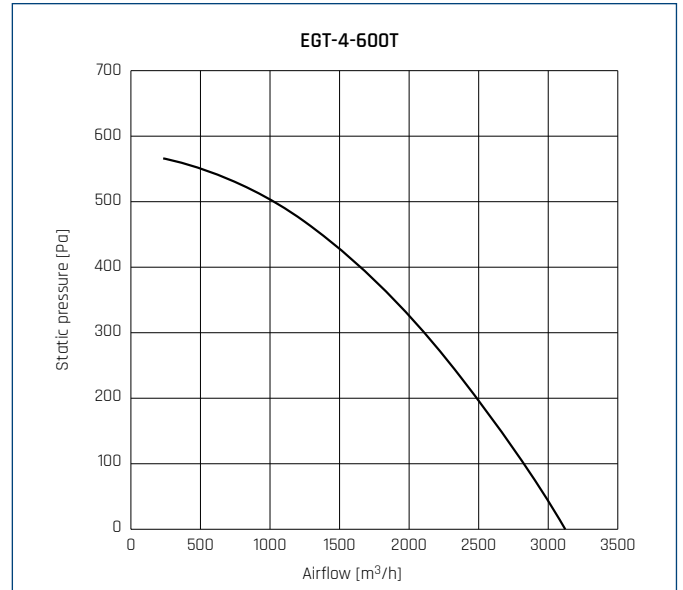
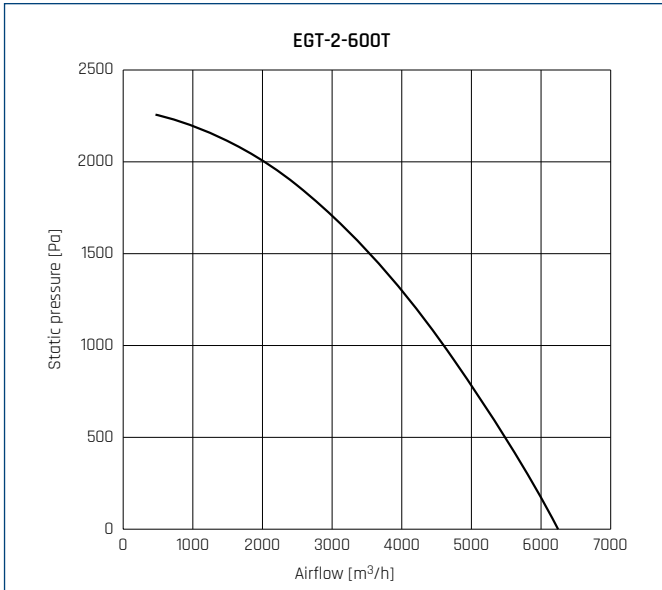
PERFORMANCE CURVES



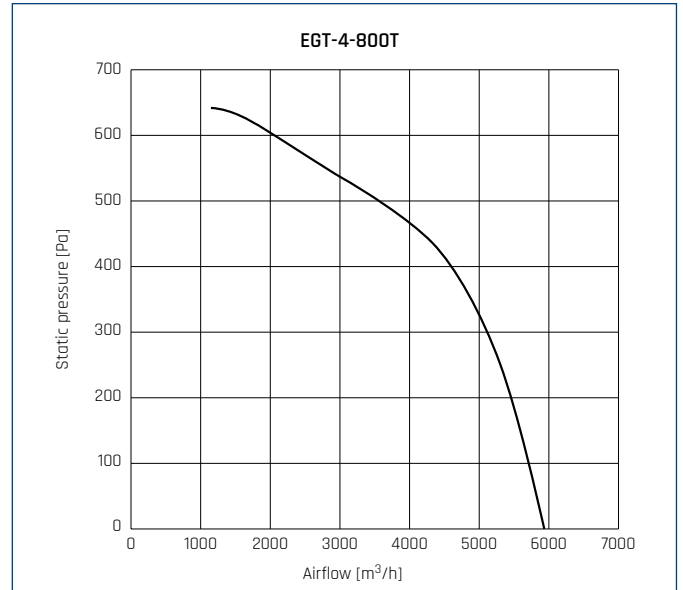
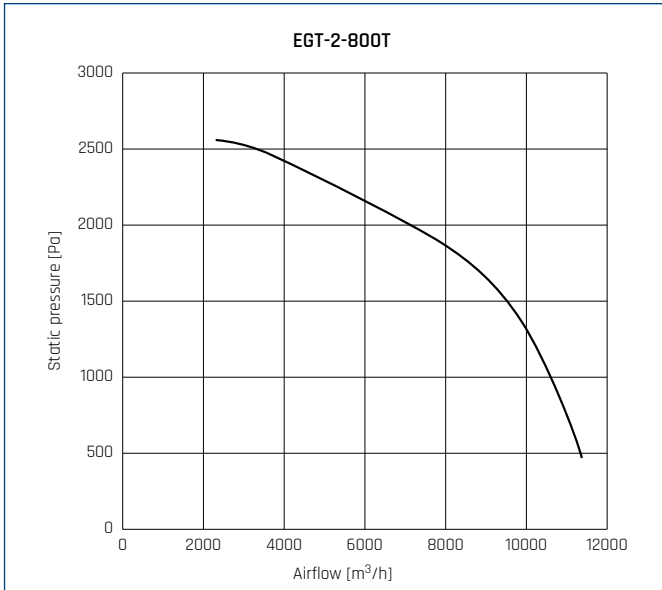
PERFORMANCE CURVES



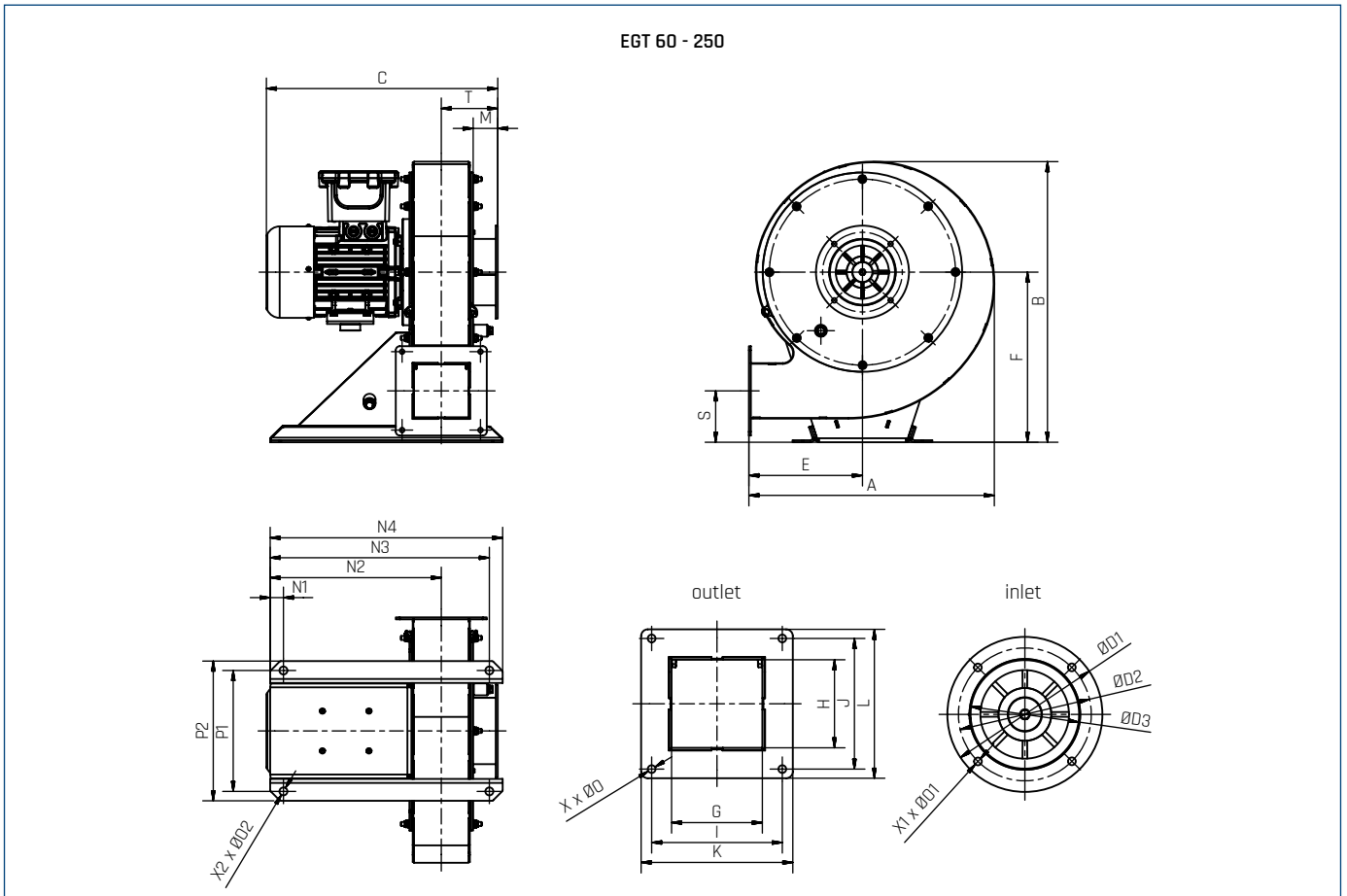
PERFORMANCE CURVES



PERFORMANCE CURVES



DIMENSIONS [mm]

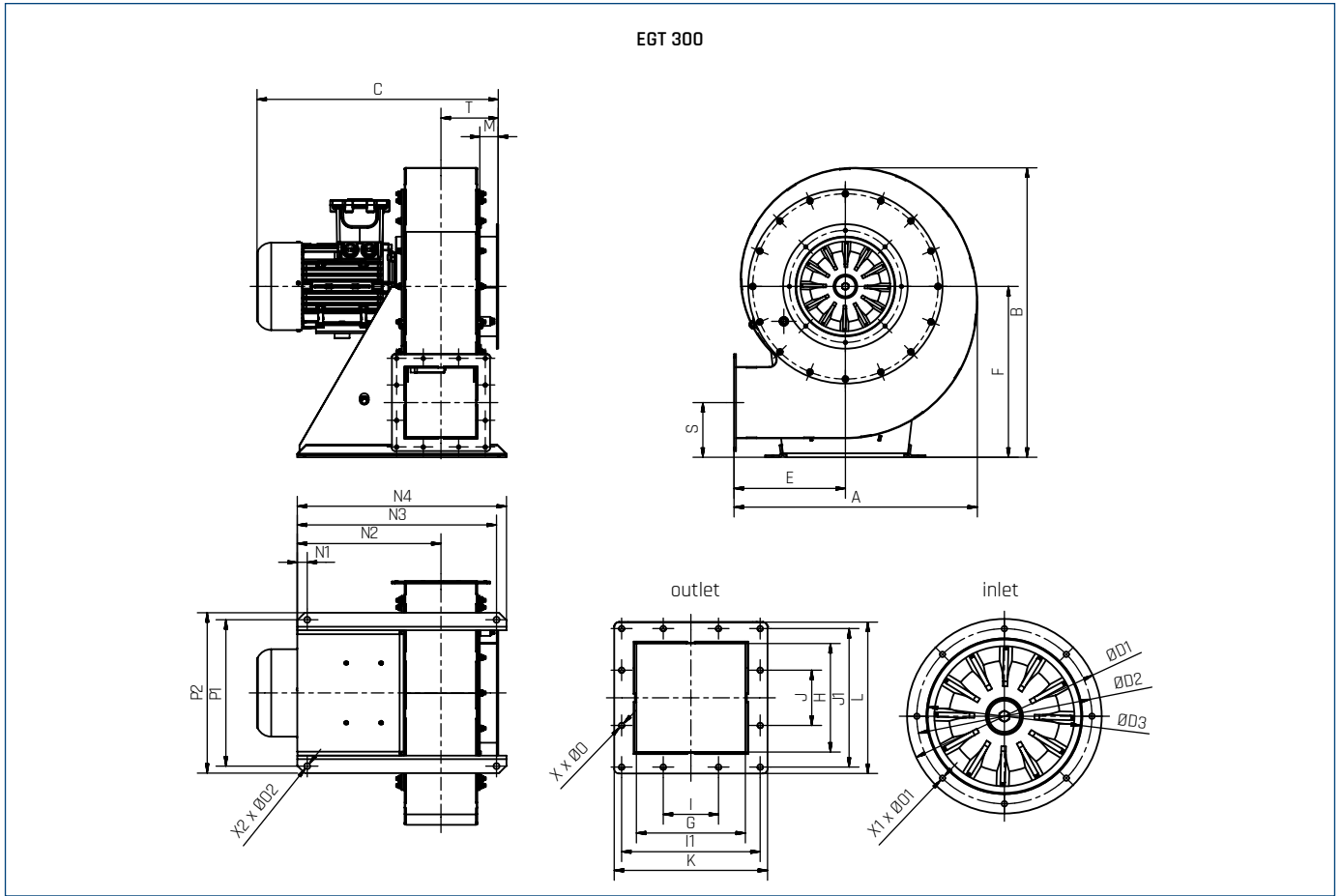


Type	A	B	C*	ØD1	ØD2	ØD3	E	F	G	H	I	J	K	L	M	N1	N2	N3	N4	Ø0	Ø01	Ø02	P1	P2	S	T	X	X1	X2
EGT 60	369,5	422,5	348,5	140	120	98	171	256	82	79,5	118	118	137	134,5	37	20	257,5	330	350	7	7	12	182	210,5	77,5	85	4	4	4
EGT 80	367	435,5	393,5	210	185	158	172	256	127	121	163	163	182	186	37	20	280	330	350	7	7	12	182	210,5	107,6	107,5	4	4	4
EGT 100	407	472	395	210	185	158	191	276	99	99	138	138	154	154	37	20	266	330	350	7	7	12	242	270	86,5	93,5	4	4	4
EGT 130	407	472	395	210	185	158	191	276	99	99	138	138	154	154	37	20	266	330	350	7	7	12	242	270	86,5	93,5	4	4	4
EGT 200	488,5	581	409	210	185	158	223,5	343	110	139,5	150	178	167	194,5	37	20	273,5	400	420	7	7	12	294	322	110	100	4	4	4
EGT 250	488,5	581	454,3	210	185	158	223,5	343	110	139,5	150	178	167	194,5	37	20	273,5	400	420	7	7	12	294	322	110	100	4	4	4

\* dimension C depends on the motor used



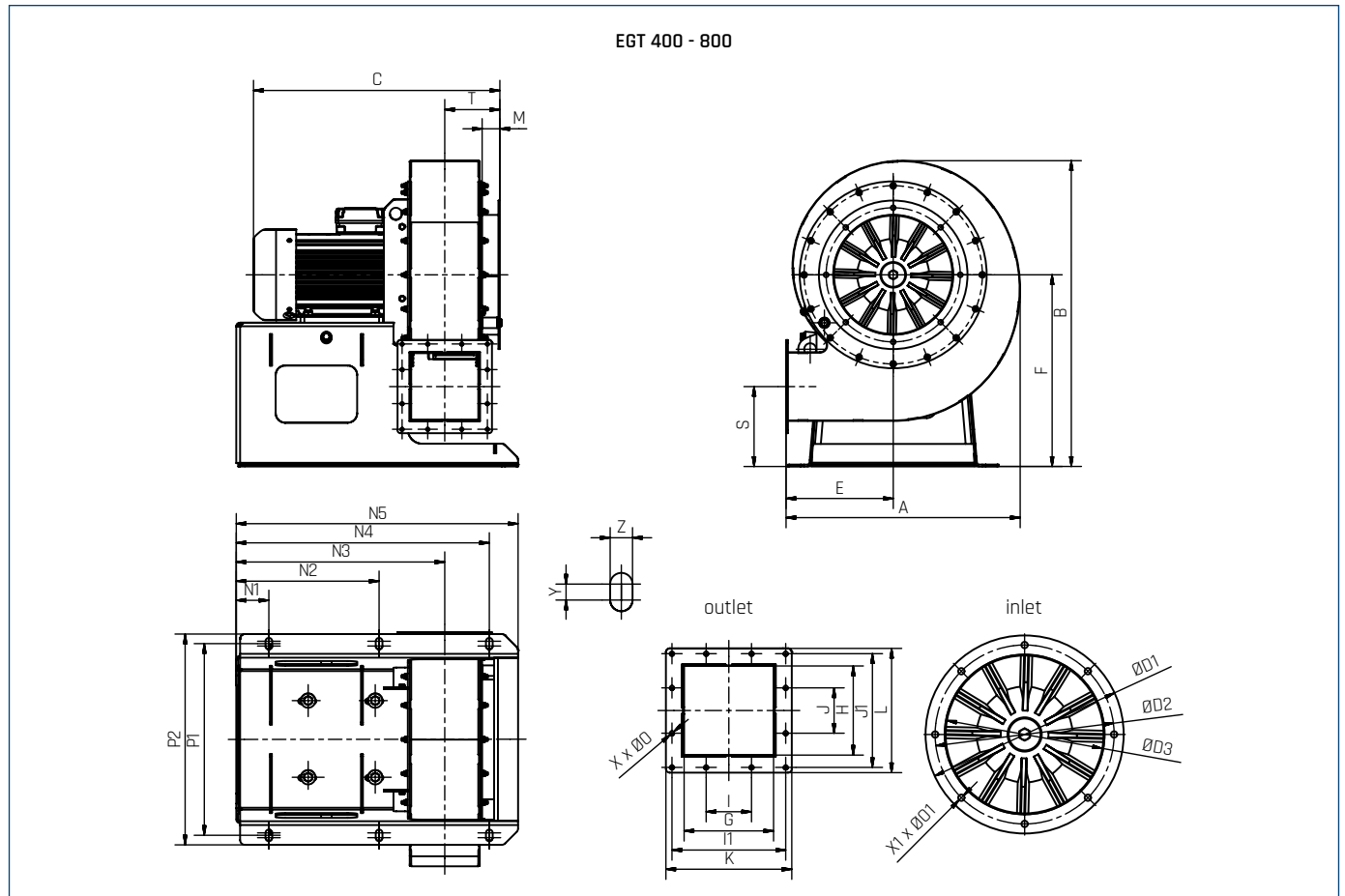
DIMENSIONS [mm]



Type	A	B	C*	Ø01	Ø02	Ø03	E	F	G	H	I	I1	J	J1	K	L	M	N1	N2	N3	N4	Ø0	Ø01	Ø02	P1	P2	S	T	X	X1	X2
EGT 300	488,5	581	484,5	250	225	197	223,5	343	140	139,5	71	178	71	178	197	194,5	37	20	288,5	400	420	7	7	12	294	322	110	115	12	8	4

\* dimension C depends on the motor used

DIMENSIONS [mm]

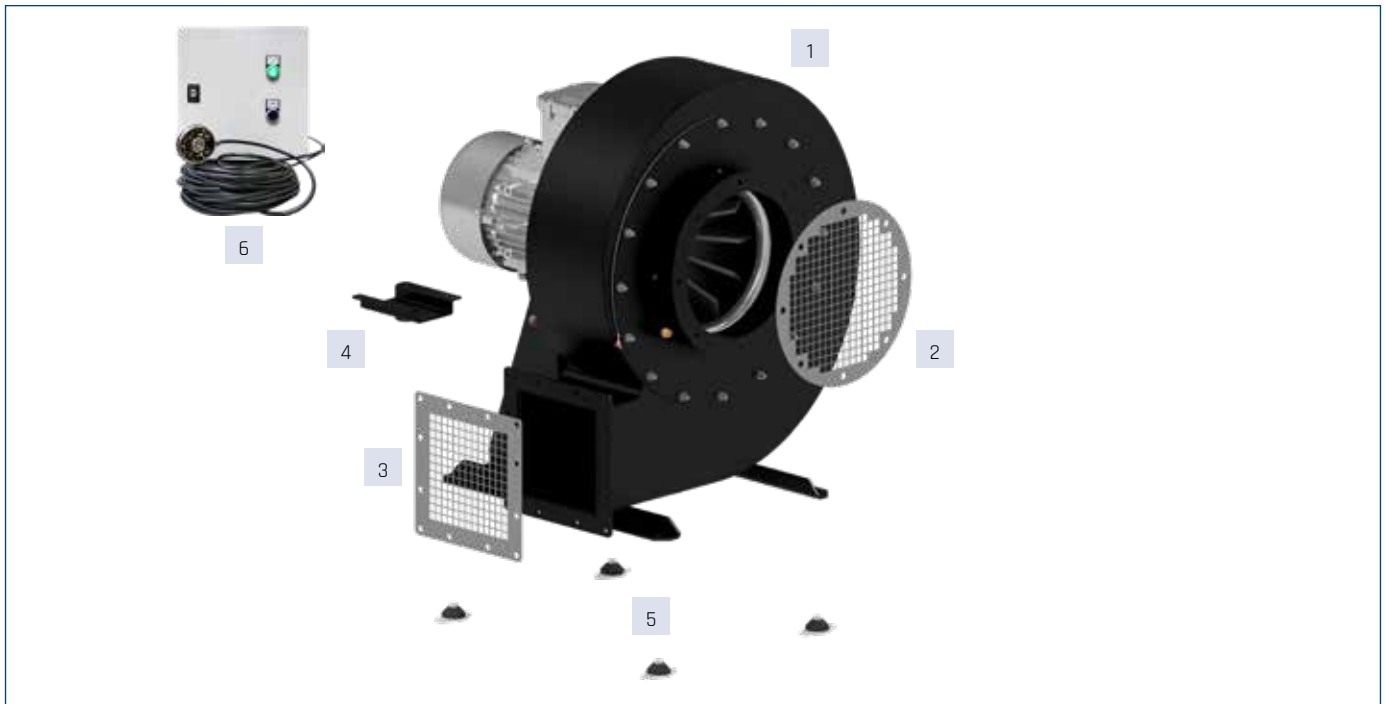


Type	A	B	C*	Ø01	Ø02	Ø03	E	F	G	H	I	I1	J	J1	K	L
EGT 400	488,5	638	514	310	280	247	233,5	400	140	139,5	71	178	71	178	197	194,5
EGT 500	491,5	631,5	660	310	280	246	227	400	240	195	125	288	100	238	329	280
EGT 600	491,5	631,5	756,5	310	280	246	227	400	280	195	125	318	100	238	369	280
EGT 700	651,5	866	718	398	355	312	264	550	240	286	125	288	125	318	329	371
EGT 750	651,5	866	853	395	355	312	264	550	240	286	125	288	125	318	329	371
EGT 800	651,5	866	897	438	395	352	264	550	240	286	125	288	125	318	329	371

Type	M	N1	N2	N3	N4	N5	Ø0	Ø01	P1	P2	S	T	X	X1	Y	Z
EGT 400	37	68	298	435	528	588	7	10	400	440	167	115	12	8	10	14
EGT 500	77,5	50	315	486	705	747	10	10	400	440	188	203,5	12	8	10	14
EGT 600	77,5	50	315	506	705	747	10	10	400	440	188	223,5	12	8	10	14
EGT 700	77	70	410	589	750	810	10	10	480	520	220	203,5	12	8	10	14
EGT 750	77	70	410	589	450	810	10	10	480	520	220	205	12	8	10	14
EGT 800	77	70	410	589	750	810	10	10	480	520	220	205	12	8	10	14

\* dimension C depends on the motor used

ASSEMBLY ACCESSORIES



Type	Inlet cover (as standard)	Outlet cover (as standard)	Mounting the vibration sensor (as standard)	vibro-isolator	VMS - Vibration monitoring system for Ex zones (zones 1 and 2) with integrity level
1	2	2	4	5	5
EGT 60	45510682-03	45510681-05	25511516-03	26040960	40015520
EGT 80	45510682-04	45510681-06	25511516-03	26040960	40015520
EGT 100	45510682-04	45510682-05	25511516-13	26040960	40015520
EGT 130	45510682-04	45510682-05	25511516-13	26040960	40015520
EGT 200	45510682-04	45510681-07	25511516-13	26040960	40015520
EGT 250	45510682-04	45510681-07	25511516-18	26040960	40015520
EGT 300	25511844	25511843	25511516-18	26040960	40015520
EGT 400	25511834	25511843	-	26040965	40015520
EGT 500	25511814	25511825	-	26040965	40015520
EGT 600	25511814	25511815	-	26040965	40015520
EGT 700	25511803	45510697	-	26040965	40015520
EGT 750	25511803	45510697	-	26040965	40015520
EGT 800	45510698	45510697	-	26040965	40015520



**ELECTRICAL ACCESSORIES**

Fan	Service switch	ATEX safety switch	Inverter	UEK-230
EGT-2-60T	R-S 3-F + SP, 16A	R-B 3-F ATEX + SP, 10A		
EGT-2-60TVFD	R-S 3-F + SP, 16A	R-B 3-F ATEX + SP, 10A	L 0,4 kW	U-EK230E
EGT-4-60T	R-S 3-F + SP, 16A	R-B 3-F ATEX + SP, 10A		
EGT-2-80T	R-S 3-F + SP, 16A	R-B 3-F ATEX + SP, 10A		
EGT-2-80TVFD	R-S 3-F + SP, 16A	R-B 3-F ATEX + SP, 10A	L 0,4 kW	U-EK230E
EGT-4-80T	R-S 3-F + SP, 16A	R-B 3-F ATEX + SP, 10A		
EGT-2-100T	R-S 3-F + SP, 16A	R-B 3-F ATEX + SP, 10A		
EGT-2-100TVFD	R-S 3-F + SP, 16A	R-B 3-F ATEX + SP, 10A	L 0,75 kW	U-EK230E
EGT-4-100T	R-S 3-F + SP, 16A	R-B 3-F ATEX + SP, 10A		
EGT-2-130T	R-S 3-F + SP, 16A	R-B 3-F ATEX + SP, 10A		
EGT-2-130TVFD	R-S 3-F + SP, 16A	R-B 3-F ATEX + SP, 10A	L 0,75 kW	U-EK230E
EGT-4-130T	R-S 3-F + SP, 16A	R-B 3-F ATEX + SP, 10A		
EGT-2-200T	R-S 3-F + SP, 16A	R-B 3-F ATEX + SP, 10A		
EGT-2-200TVFD	R-S 3-F + SP, 16A	R-B 3-F ATEX + SP, 10A	L 0,75 kW	U-EK230E
EGT-4-200T	R-S 3-F + SP, 16A	R-B 3-F ATEX + SP, 10A		
EGT-2-250T	R-S 3-F + SP, 16A	R-B 3-F ATEX + SP, 10A		
EGT-2-250TVFD	R-S 3-F + SP, 16A	R-B 3-F ATEX + SP, 10A	L 1,5 kW	U-EK230E
EGT-4-250T	R-S 3-F + SP, 16A	R-B 3-F ATEX + SP, 10A		
EGT-2-300T	R-S 3-F + SP, 16A	R-B 3-F ATEX + SP, 10A		
EGT-2-300TVFD	R-S 3-F + SP, 16A	R-B 3-F ATEX + SP, 10A	L 1,5 kW	U-EK230E
EGT-4-300T	R-S 3-F + SP, 16A	R-B 3-F ATEX + SP, 10A		
EGT-2-400T	R-S 3-F + SP, 16A	R-B 3-F ATEX + SP, 10A		
EGT-2-400TVFD	R-S 3-F + SP, 16A	R-B 3-F ATEX + SP, 10A	L 1,5 kW	U-EK230E
EGT-4-400T	R-S 3-F + SP, 16A	R-B 3-F ATEX + SP, 10A		
EGT-2-500T	R-S 3-F + SP, 16A	R-B 3-F ATEX + SP, 10A		
EGT-2-500TVFD	R-S 3-F + SP, 16A	R-B 3-F ATEX + SP, 10A	L 2,2 kW	U-EK230E
EGT-4-500T	R-S 3-F + SP, 16A	R-B 3-F ATEX + SP, 10A		
EGT-2-600T	R-S 3-F + SP, 16A	R-B 3-F ATEX + SP, 20A		
EGT-2-600TVFD	R-S 3-F + SP, 16A	R-B 3-F ATEX + SP, 20A	L 5,5 kW	U-EK230E
EGT-4-600T	R-S 3-F + SP, 16A	R-B 3-F ATEX + SP, 10A		
EGT-2-700T	R-S 3-F + SP, 16A	R-B 3-F ATEX + SP, 20A		
EGT-2-700TVFD	R-S 3-F + SP, 16A	R-B 3-F ATEX + SP, 20A	L 7,5kW	U-EK230E
EGT-4-700T	R-S 1-F + SP, 16A	R-B 3-F ATEX + SP, 10A		
EGT-2-750T	R-S 3-F + SP, 25A			
EGT-2-750TVFD	R-S 3-F + SP, 25A		L 11,0 kW	U-EK230E
EGT-4-750T	R-S 3-F + SP, 16A	R-B 3-F ATEX + SP, 10A		
EGT-2-800T	R-S 3-F + SP, 40A			
EGT-2-800TVFD	R-S 3-F + SP, 40A		L 15,0 kW	U-EK230E
EGT-4-800T	R-S 3-F + SP, 16A	R-B 3-F ATEX + SP, 10A		

**Article numbers**

R-S 3-F + SP, 16A	91040908	R-S 3-F + SP, 10A	91040908-01	R-S 1-F + SP, 16A	91040907-02	R-S 3-F + SP, 16A	91040908	R-S 3-F + SP, 25A	91040910
R-S 3-F + SP, 40A	91040924	R-S 3-F + SP, 6B, 25A	91040911	R-S 3-F + SP, 6B, 40A	91040911-02	R-B 3-F ATEX + SP, 10A	44025761	R-B 3-F ATEX + SP, 20A	44025762
GEAR SWITCH 0/Y/YY	91040913	L 0,4 kW	40016302	L 0,75 kW	40016312	L 1,5 kW	40016322	L 2,2 kW	40016332
L 5,5 kW	40016362	L 7,5kW	40016372	L 11,0 kW	40016383	L 15,0 kW	40016392	U-EK230E	91040958

