

### Application

Axial jet used to cause air movement in a closed parking, tunnels and large spaces.

- JFV SLIM and JFVR SLIM for general ventilation, with air temperature from -20°C to +50°C,
- used in ventilation systems whose function is to remove contaminated air containing eg. carbon dioxide, nitrogen oxides, and sulfur.
- fans are characterized by a compact structure, which allows them to be used in low-rise buildings, with the use of a small installation space.

The optimal fan system should be verified by means of CFD simulation, so that the entire system is designed in accordance with the requirements of the relevant standards and maintaining the architectural specificity of the given space

### Construction

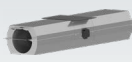
- powder coated steel inner housing,
- outer casing made of aluminum sheet
- steel powder coated, mounting foot,
- as standard two silencers made of aluminium sheet,
- unidirectional rotor is made of polypropylene (JFV), reversible monolithic rotor made of aluminium alloy (JFVR),
- terminal box for electrical connection on the housing,
- three sizes: 315, 355 and 400 in two speed versions,
- galvanized protective mesh on the inlet and exhaust deflector (JFV) or two exhaust deflectors (JFVR).
- JFV are one-way fans, while JFVR are two-way (reversible).

### Electric motor

- asynchronous, three-phase 400V 50Hz, two-speed 2/4-pole,
- degree of protection IP55,
- insulation class F.

### Special executions

- painting in a selected color from the RAL palette,
- painting in a higher corrosivity category,
- motor for other than standard voltage and power frequency,
- motor with a different degree of protection,
- motor with a different insulation class.



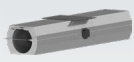
## NOMINAL DATA

type	airflow max	thrust	air velocity	speed	volume rated	current max absorbed**	motor power	sound level pressure*	weight	PM - protection mesh DF - deflector ***	article number
<b>Unidirectional, 2-speed fan - air temperature from -20°C to +50°C</b>											
<b>JFV/2/4-315-100/025T SLIM</b>	4 500 m <sup>3</sup> /h	24 N	16 m/s	2780 rpm	400 YY/Y	2,4 A	1,0 kW	62 dB(A)	64,0 kg	PM + PM	422535004
	2 250 m <sup>3</sup> /h	6 N	8 m/s	1370 rpm		0,7 A	0,25 kW	56 dB(A)		PM + DF	422535007
<b>JFV/2/4-355-100/025T SLIM</b>	6 700 m <sup>3</sup> /h	43 N	19 m/s	2780 rpm	400 YY/Y	2,4 A	1,0 kW	73 dB(A)	79,0 kg	PM + PM	422535014
	3 350 m <sup>3</sup> /h	11 N	9,5 m/s	1370 rpm		0,7 A	0,25 kW	62 dB(A)		PM + DF	422535017
<b>JFV/2/4-400-140/090T SLIM</b>	9 000 m <sup>3</sup> /h	60 N	20 m/s	2750 rpm	400 YY/Δ	3,6 A	1,4 kW	76 dB(A)	98,0 kg	PM + PM	422535024
	4 500 m <sup>3</sup> /h	15 N	10 m/s	1360 rpm		2,6 A	0,9 kW	64 dB(A)		PM + DF	422535027
<b>Reversible, 2-speed fan - air temperature from -20°C to +50°C</b>											
<b>JFVR/2/4-315-100/025T SLIM</b>	4500 m <sup>3</sup> /h	24 N	16 m/s	2780 rpm	400 YY/Y	2,4 A	1,0 kW	64 dB(A)	65,0 kg	PM + PM	422535104
	2250 m <sup>3</sup> /h	6 N	8 m/s	1370 rpm		0,7 A	0,25 kW	57 dB(A)		PM + DF	422535108
										DF + DF	422535109
<b>JFVR/2/4-355-100/025T SLIM</b>	6000 m <sup>3</sup> /h	34 N	17 m/s	2780 rpm	400 YY/Y	2,4 A	1,0 kW	73 dB(A)	82,0 kg	PM + PM	422535114
	3000 m <sup>3</sup> /h	9 N	8,5 m/s	1370 rpm		0,7 A	0,25 kW	61 dB(A)		PM + DF	422535118
										DF + DF	422535119
<b>JFVR/2/4-355-100/025T SLIM</b>	9 400 m <sup>3</sup> /h	66 N	21 m/s	2750 rpm	400 YY/Δ	3,6 A	1,4 kW	76 dB(A)	100,0 kg	PM + PM	422535124
	4 700 m <sup>3</sup> /h	16 N	10,5 m/s	1360 rpm		2,6 A	0,9 kW	64 dB(A)		PM + DF	422535128
										DF + DF	422535129

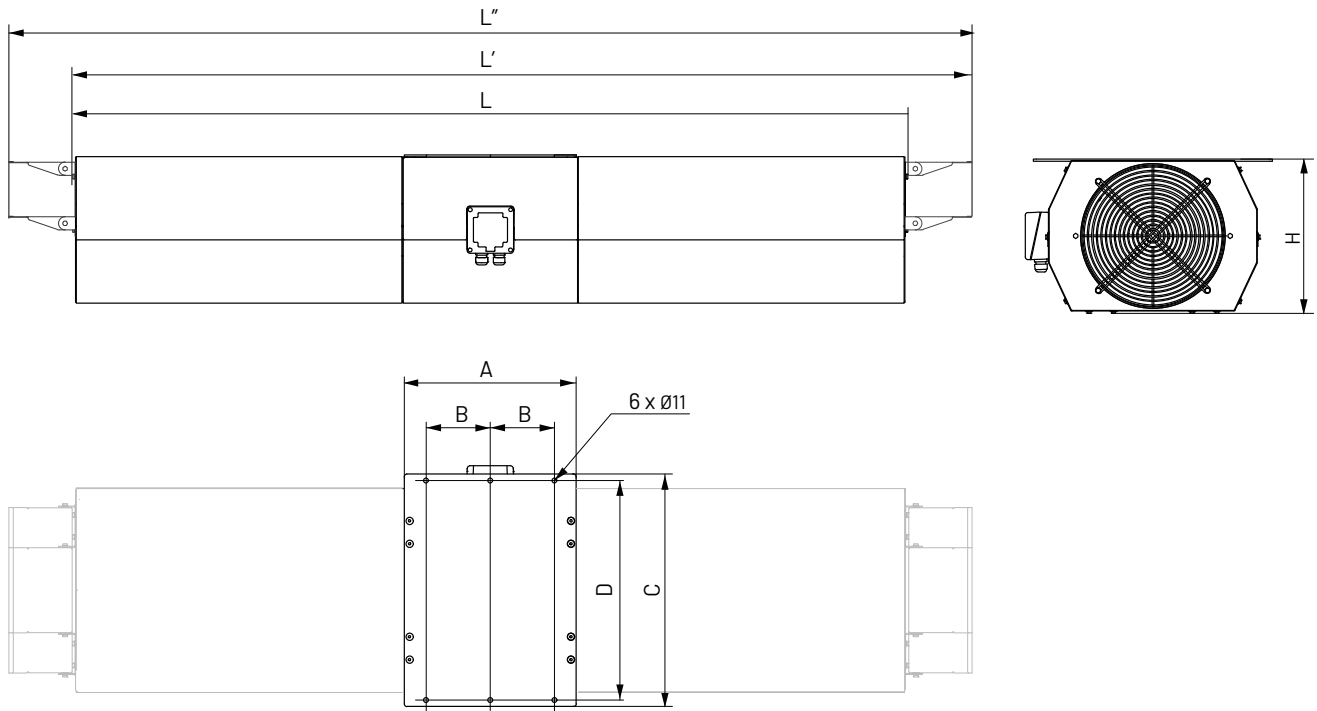
\* sound pressure at 3m

\*\* value of the rated current may vary depending on the manufacturer of the electric motor used.

\*\*\*PM+PM - protection mesh 2pcs., PM+DF - protection mesh and deflector, DF+DF - deflector 2 pcs.



## DIMENSIONS



type	PM - protection mesh DF - deflector**	L mm	L' mm	L'' mm	H mm	A mm	B mm	C mm	D mm
JFV/2/4-315-100/025T SLIM	PM + PM	1917	-	-	344	394	147	552	503
	PM + DF	-	2 062	-					
JFV/2/4-355-100/025T SLIM	PM + PM	2 018	-	-	392	394	147	650	620
	PM + DF	-	2 161	-					
JFV/2/4-400-140/090T SLIM	PM + PM	2 127	-	-	451	400	147	717	687
	PM + DF	-	2 270	-					
JFVR/2/4-315-100/025T SLIM	PM + PM	1917	-	-	344	394	147	552	503
	PM + DF	-	2 062	-					
	DF + DF	-	-	2 207					
JFVR/2/4-355-100/025T SLIM	PM + PM	2 018	-	-	392	394	147	650	620
	PM + DF	-	2 161	-					
	DF + DF	-	-	2 304					
JFVR/2/4-400-140/090T SLIM	PM + PM	2 127	-	-	451	400	147	717	687
	PM + DF	-	2 270	-					
	DF + DF	-	-	2 413					

\*\*PM+PM - protection mesh 2pcs., PM+DF - protection mesh and deflector, DF+DF - deflector 2 pcs.